



# PARTS MANUAL

## 00. MAINTENANCE

### FILTERS KIT



FIGURE	REFERENCE	DENOMINATION	AMOUNT
001	KF.67100RE20	FILTERS SET D 300 AHG STAGE V	1
001.1	60.20100.00	FILTER ELEMENT	1
001.2	45.01204.00	FILTER ELEMENT 60x105x300 (500H)	1
001.3	DN000002	FUEL FILTER CARTRIDGE (400h)	1
001.4	MN000017	FILTER FUEL	1
001.5	MN000028	ENGINE OIL FILTER	1
001.6	58.01810.00	HIDRAULIC CATRIDGE INTANK	1
002	KM.67100RE20	FILTERS SET 1000H D 300 AHG STAGE V	1
003	KU1628297013	BELT	1

## 02. ENGINE MOTOR

- ① MOTOR DIESEL KUBOTA V1505-E4B /  
DIESEL ENGINE KUBOTA V1505-E4B

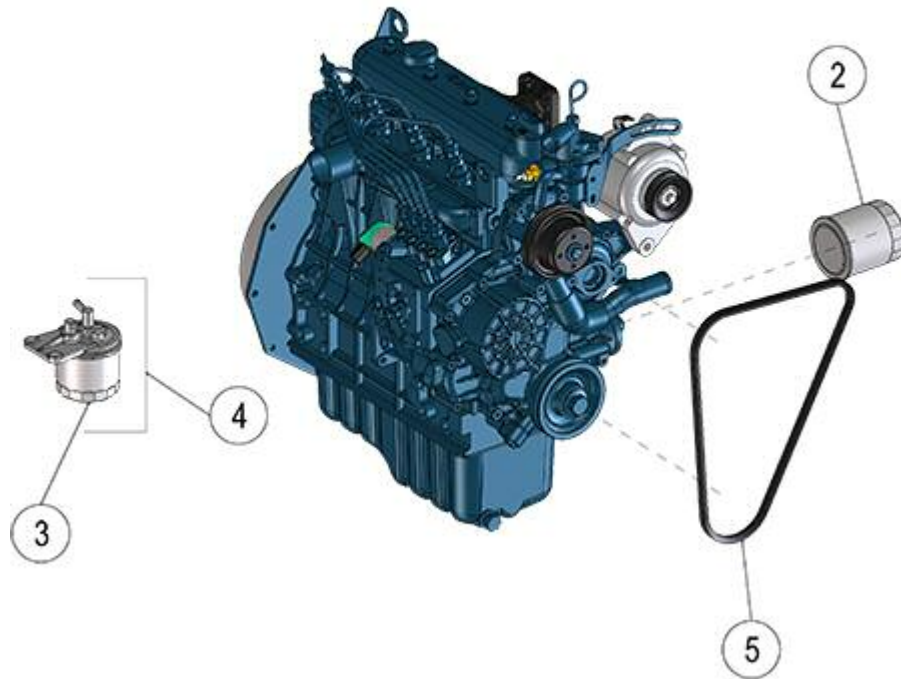


FIGURE	REFERENCE	DENOMINATION	AMOUNT
001	12.02100.04	ENGINE DIESEL KUBOTA V1505-E4B 18.5 KW	1
002	MN000028	ENGINE OIL FILTER	1
003	DN000002	FUEL FILTER CARTRIDGE (400h)	1
004	KU1522443010	DIESEL FILTER + SUPPORT	1
005	KU1628297013	BELT	1

## 02. ENGINE EXHAUST PIPE

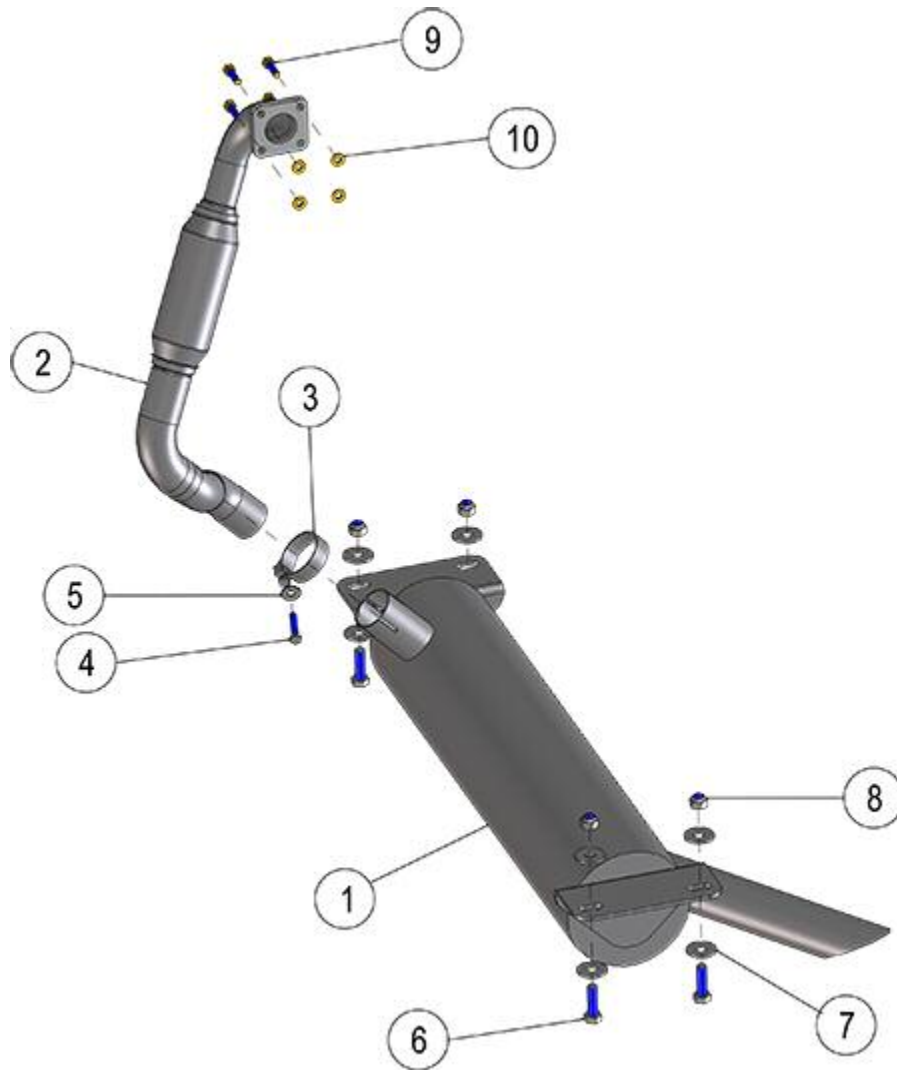


FIGURE	REFERENCE	DENOMINATION	AMOUNT
001	63.02151.00	MUFFLER 1022X228X462	1
002	67.02223.00	EXHAUST PIPE	1
003	935.51055.66	CLAMP (CH 250)	1
004	603.08040.86	SCREW DIN933	1
005	112.08000.66	WASHER DIN9021 D8	1
006	603.12040.86	SCREW DIN933 M12x40	4
007	112.12000.66	WASHER DIN9021 D 12X36	8
008	711.12000.66	NUT DIN982 M12	4
009	603.08030.86	SCREW DIN933 M8X30	4
010	104.08000.00	WASHER DIN7980 D8	4

## 02. ENGINE INLET



FIGURE	REFERENCE	DENOMINATION	AMOUNT
001	912.50070.60	CLAMP	3
002	912.60080.66	CLAMP	1
003	67.02313.00	ADMISSION TUBE	1
004	67.02311.00	AIR FILTER SUPPORT	1
005	112.08000.66	WASHER DIN9021 D8	4
006	711.08000.66	NUT DIN982 M8	2
007	603.08035.86	SCREW DIN933	2
008	603.08025.96	SCREW	2
009	104.08000.00	WASHER DIN7980 D8	2
010	101.08000.66	WASHER DIN125 D8	2
011	45.01201.12	CLAMP	1
012	43.50119.00	AIR FILTER INDICATOR	1
013	45.01200.12	AIR FILTER VIRGIS	1
014	45.01204.00	FILTER ELEMENT 60x105x300 (500H)	1
015	67.02314.00	SUCTION TUBE	1



016

67.02305.00

AIR FILTER PROTECTOR

1

## 02. ENGINE DELIVERY

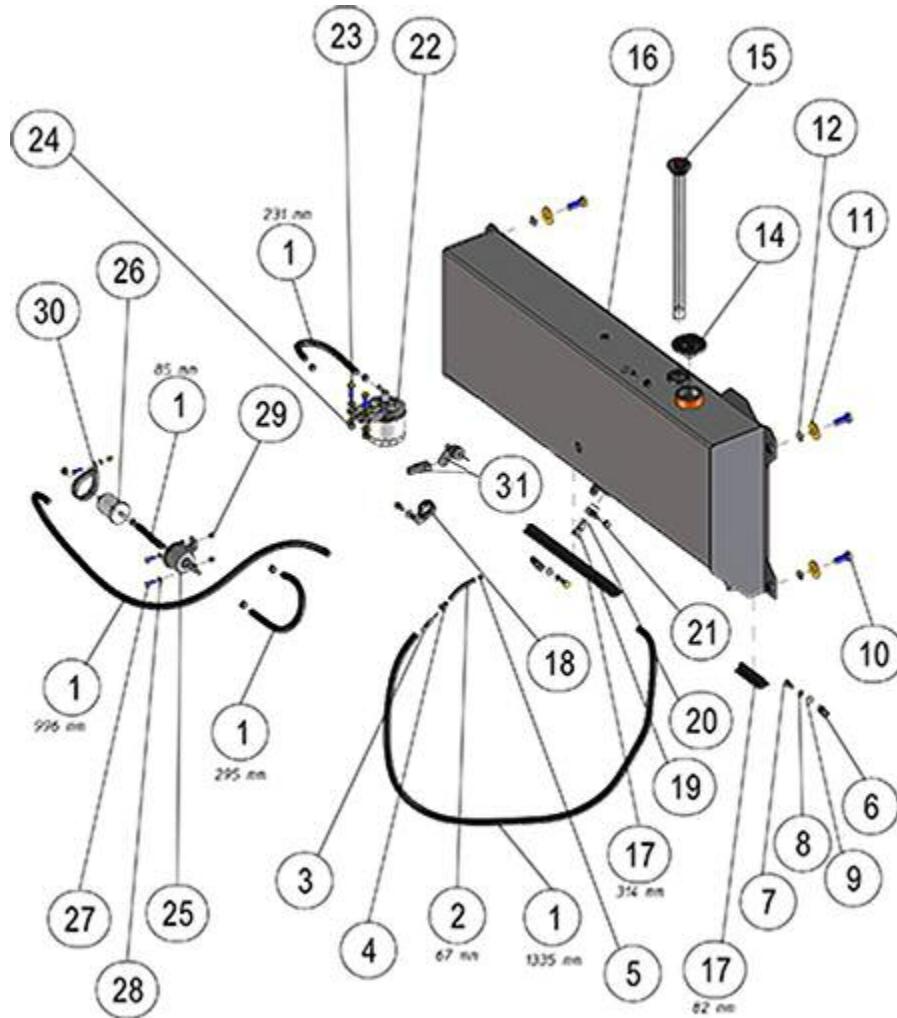


FIGURE	REFERENCE	DENOMINATION	AMOUNT
001	469.03014.00	HOSE L/P MAT. 8x14	5
002	469.25009.00	HOSE L/P MAT.	1
003	20.02062.00	FITTING	1
004	948.01308.00	SPRING CLAMP Ø13	10
005	948.00907.00	CLAMP SPRING D9	2
006	830.01408.00	LOOP CLAMP D14x8	2
007	603.08015.86	SCREW DIN933 M8x15	3
008	104.08000.00	WASHER DIN7980 D8	3
009	101.08000.66	WASHER DIN125 D8	7
010	604.12030.86	SCREW DIN931	2
011	112.12000.66	WASHER DIN9021 D 12X36	4
012	105.12000.66	WASHER DIN7980 D12	4
013	67.02111.00	OIL TANK 43.8 WITH SENSOR	1

014	12.12024.00	FUEL CAP 40X72	1
015	65.02412.00	LEVEL, NEEDLE FUEL	1
016	67.02111.00	OIL TANK 43.8 WITH SENSOR	1
017	472.00411.00	RUBBER PROFILE MAT.	2
018	830.02508.00	CLAMP TIE D25x8	1
019	52.00110.00	NIPPLE SCREW SIM.	1
020	107.14000.10	WASHER AL 14x20x1.5	2
021	45.04106.00	NIPPLE O/TB	1
022	KU1522443010	DIESEL FILTER + SUPPORT	1
022.1	DN000002	FUEL FILTER CARTRIDGE (400h)	1
023	603.08030.86	SCREW DIN933 M8X30	2
024	711.08000.66	NUT DIN982 M8	2
025	KURC60151352	ASSRMBLY FUEL PUMP	1
026	MN000017	FILTER FUEL	1
027	603.06020.86	SCREW DIN933 M6x20	5
028	101.06000.66	WASHER DIN125 D6	3
029	711.06000.66	NUT DIN982 M6	3
030	830.05006.00	HOSE TIE D50X6	1
031	43.70261RE00	BUOY OIL LEVEL INDICATOR	1



## 02. ENGINE RÉFRIGÉRATION

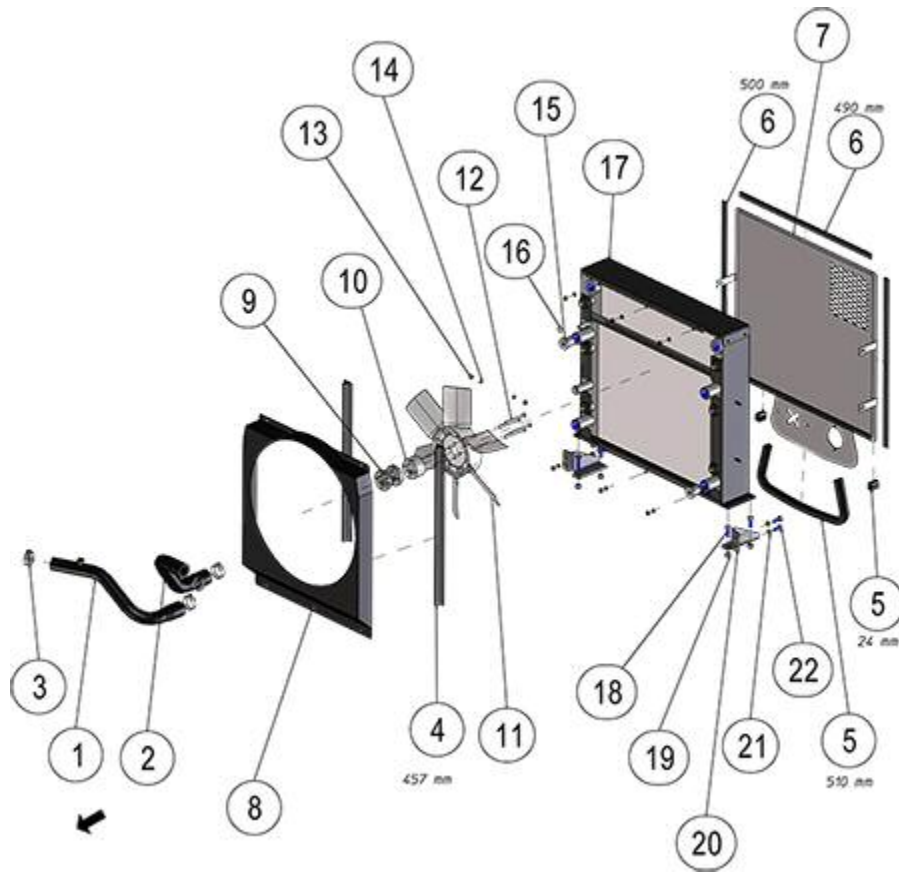


FIGURE	REFERENCE	DENOMINATION	AMOUNT
001	67.02504.00	WATER PIPE	1
002	67.02503.00	WATER PIPE	1
003	912.32050.66	CLAMP DIN3017	4
004	472.00411.00	RUBBER PROFILE MAT.	2
005	472.00410.00	RUBBER PROFILE 22X22	3
006	472.04015.00	RUBBER PROFILE MAT.	4
007	67.02152.00	COVER	1
008	67.02053.00	SHEET	1
009	35.02153.00	FAN SPACER SUPPORT 10x55	2
010	35.02153.01	FAN SPACER SUPPORT 30x55	1
011	12.02501.00	FAN	1
012	604.06065.86	SCREW DIN931 M6X65	4
013	701.06000.66	NUT DIN934 M6X1	8
014	105.06000.66	CIR-CLIP DIN7980	8
015	43.70461.00	CAP	2
016	912.08016.66	CLAMP DIN3017	2

017	20.02051.02	RADIATOR 152X500X590 WATER-OIL	1
018	603.08025.86	SCREW DIN933 M8x25	4
019	711.08000.66	NUT DIN982 M8	4
020	67.02515.00	SUPPORT 102X64X62X5	2
021	105.08000.66	CIR-CLIP EXT. DIN7980 D8	6
022	603.08020.86	SCREW DIN933 M8x20	6

## 02. ENGINE

### RADIATOR (PART 2)

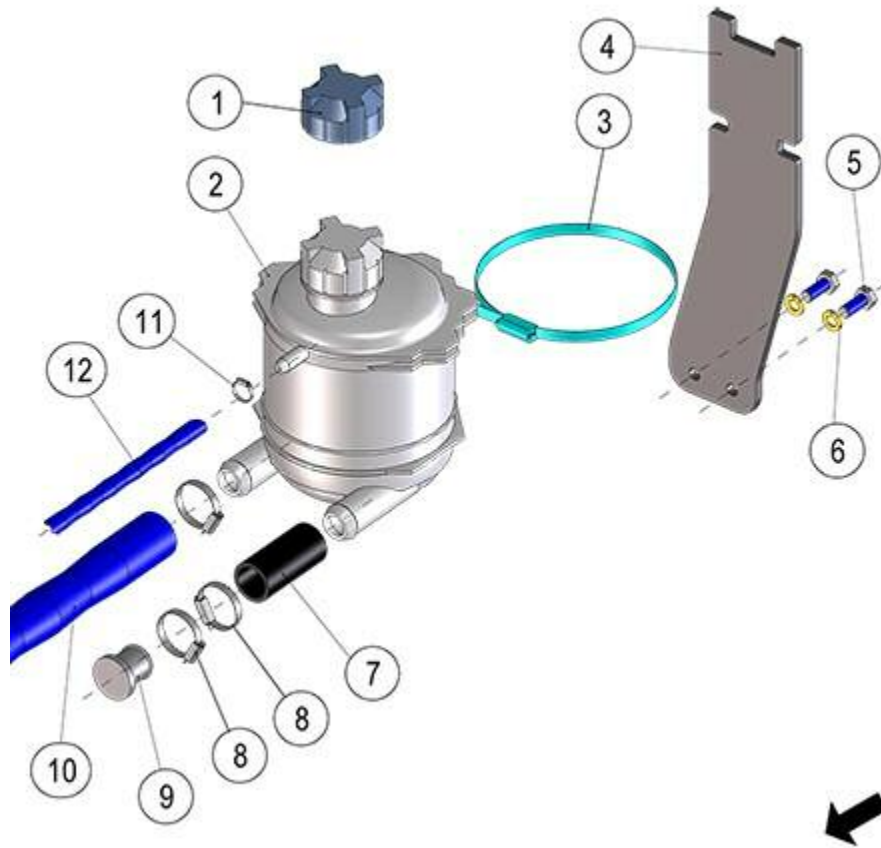


FIGURE	REFERENCE	DENOMINATION	AMOUNT
001	09.00172.00	CAP	1
002	09.00171.00	EXPANSION TANK C / PLUG	1
003	912.12140.66	CLAMP	1
004	65.02512.00	SUPPORT 227x117x108	1
005	603.08020.86	SCREW DIN933 M8x20	2
006	105.08000.66	CIR-CLIP EXT. DIN7980 D8	2
007	09.00246.02	SLEEVE	1
008	912.20032.00	CLAMP	3
009	09.00246.01	CAP	1
010	65.00158.00	RUBBER HOSE B/P 25x35x450	1
011	912.08016.66	CLAMP DIN3017	1
012	469.01017.00	TUBE MAT.	1

## 02. ENGINE SUSPENSION

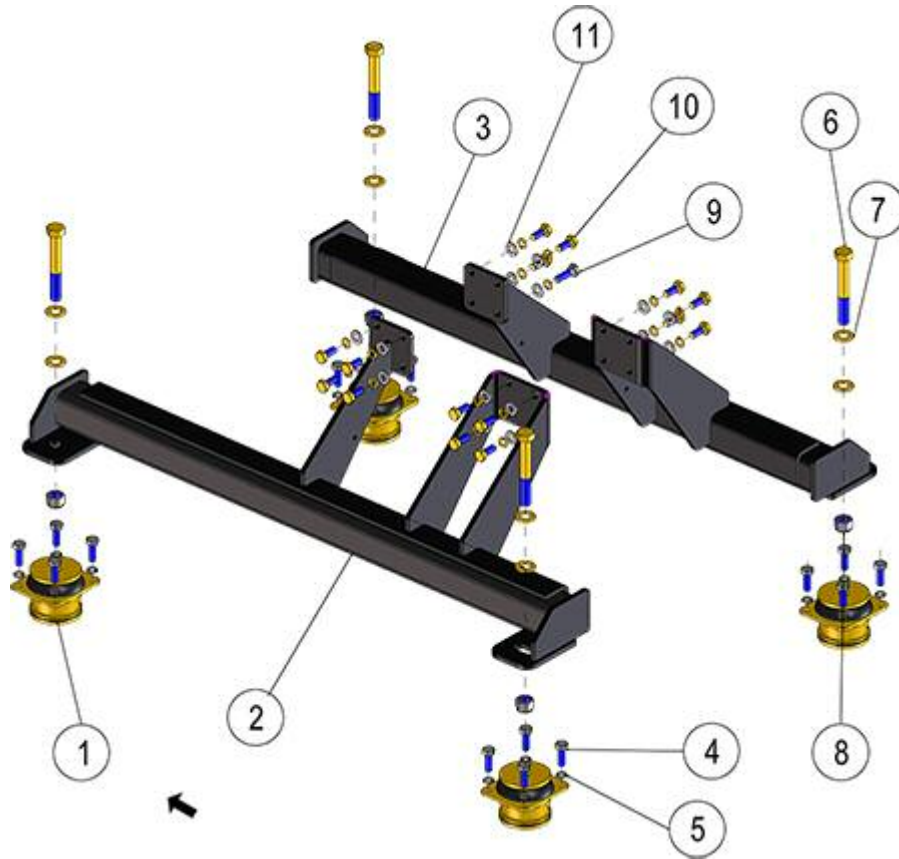


FIGURE	REFERENCE	DENOMINATION	AMOUNT
001	64.02123.01	SHOCK ABSORBER	4
002	67.02125.00	LEFT ENGINE SUPPORT	1
003	67.02124.00	RIGHT ENGINE SUPPORT	1
004	603.10030.86	SCREW DIN933	16
005	104.10000.00	WASHER DIN7980 D10	32
006	604.16110.86	SCREW DIN931 M16x110	4
007	101.16000.66	WASHER DIN125 D16	8
008	711.16000.66	NUT DIN982 M16 8.8 K	4
009	617.10035.86	SCREW DIN960 M10x1.25x35	1
010	617.10025.86	SCREW DIN960 M10X25X1.25	15
011	101.10000.66	WASHER DIN125 D10	16

### 03. TRANSMISSION

#### HYDROSTATIC TRANSMISSION

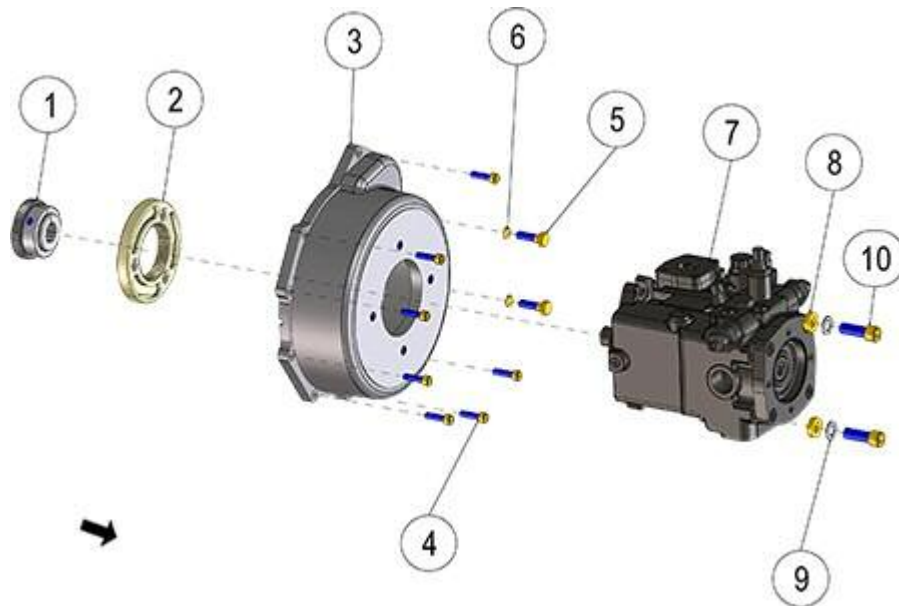


FIGURE	REFERENCE	DENOMINATION	AMOUNT
001	70.02091.00	COUPLING DEN/DEN	1
002	70.02090.01	COUPLING CYL D135 Z50	1
003	12.02093.00	COUPLING D102XD276X100	1
004	601.08030.86	SCREW DIN912 M8x30	7
005	617.10035.86	SCREW DIN960 M10x1.25x35	2
006	104.10000.00	WASHER DIN7980 D10	2
007	35.03270.01	HYDRAULIC PUMP 45 CC	1
008	15.30110.00	WASHER 14X7X26	2
009	104.14000.00	CIR-CLIP EXT. DIN7980	2
010	601.14040.86	HEXAGON SOCKET HEAD SCREW DIN912 M14x40	2

### 03. TRANSMISSION

#### HYDROSTATIC ENGINE

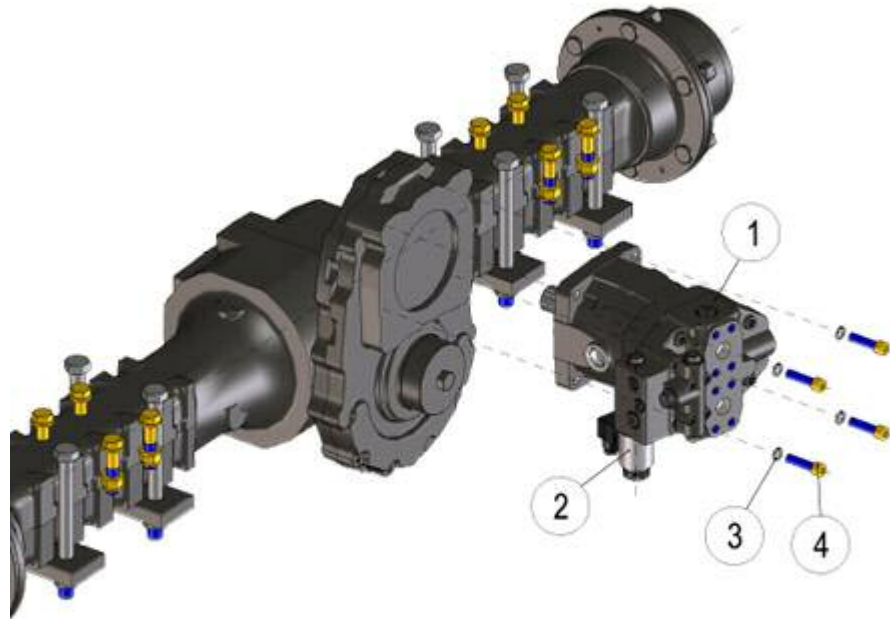


FIGURE	REFERENCE	DENOMINATION	AMOUNT
001	52.01490.05	HYDRAULIC ENGINE REXROTH A6VM SERIE 65 80cc	1
002	RXR902603562	COIL	1
003	104.12000.00	WASHER DIN7980 D12	4
004	601.12045.86	SCREW DIN912	4

### 03. TRANSMISSION

#### FRONT AXLE (1)

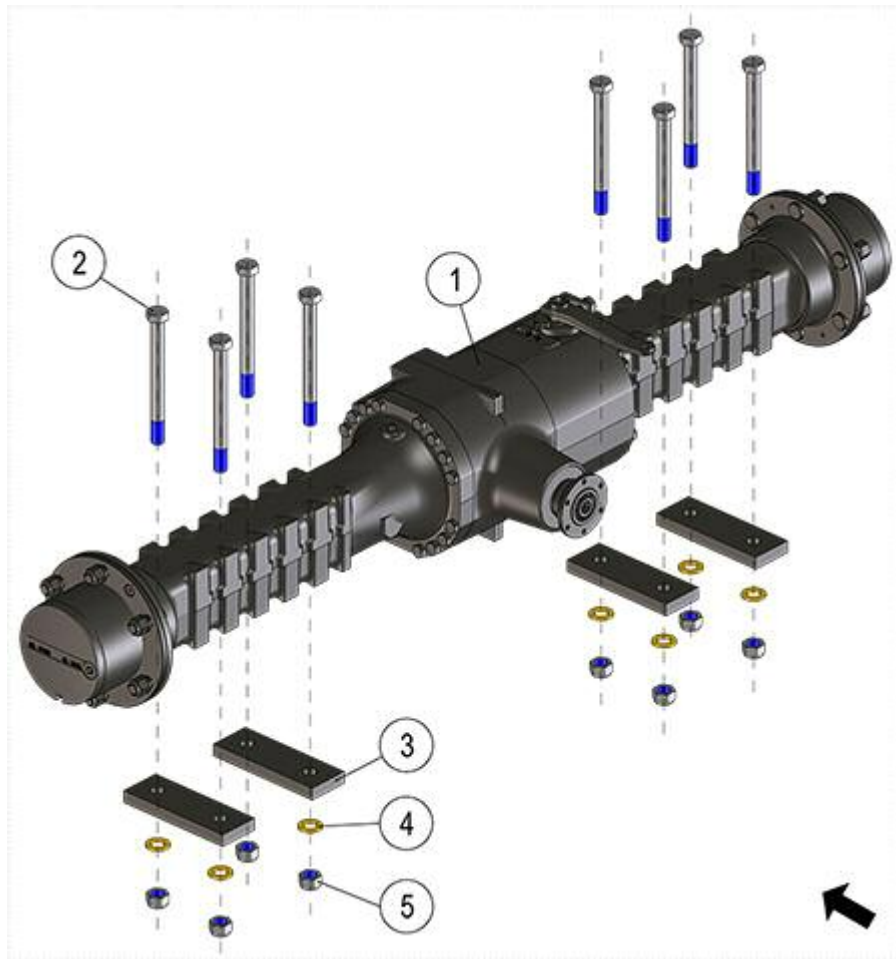


FIGURE	REFERENCE	DENOMINATION	AMOUNT
001	65.03316.00	AXLE, FRONT DANA	1
002	604.20210.86	TORNILLO DIN931 M20x210	8
003	65.03318.00	STRIP 200x70x20	4
004	101.20000.66	WASHER DIN125	8
005	711.20000.66	NUT	8

### 03. TRANSMISSION

#### FRONT AXLE (2)

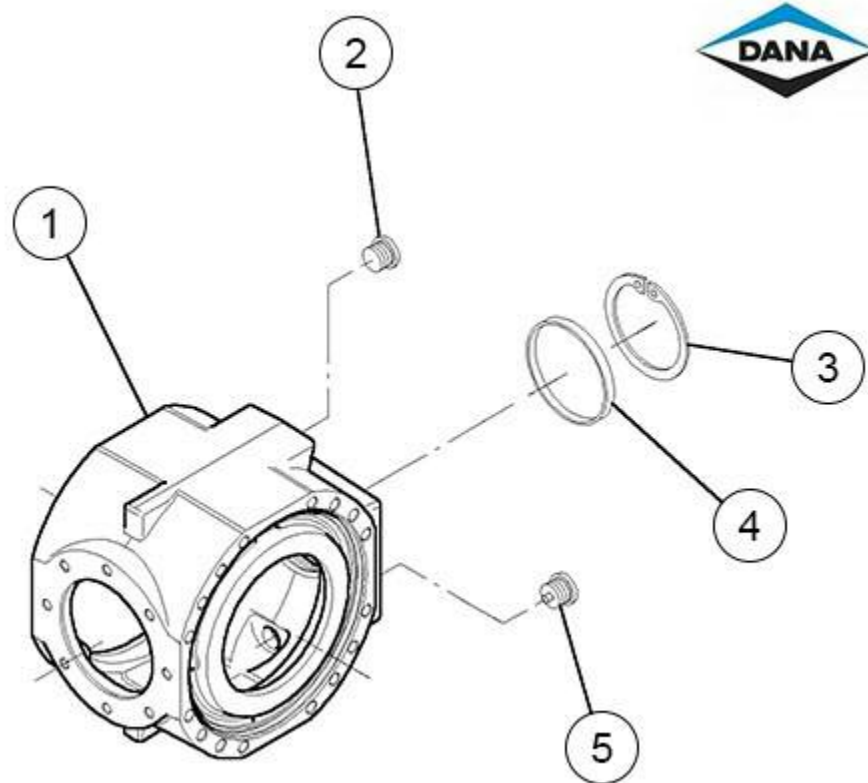


FIGURE	REFERENCE	DENOMINATION	AMOUNT
001	DA1110100301	HOUSING	1
002	DA3551461001	PLUG	1
003	DA002020088	CIRCLIP	1
004	DA1710101504	CAP	1
005	DA3551461102	TAPON ROTURA DOBLE	1



### 03. TRANSMISSION FRONT AXLE (3)

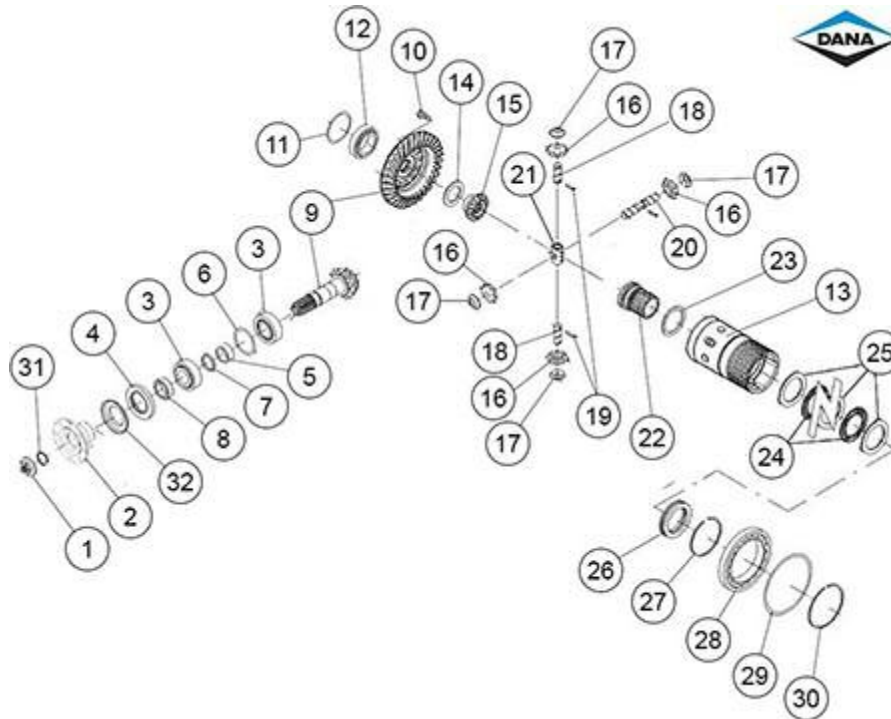


FIGURE	REFERENCE	DENOMINATION	AMOUNT
001	DA7460400801	NUT	1
002	DA5422200405	FLANGE	1
003	DA005092938	BEARING	2
004	DA001030730	O-RING	1
005	DA1110403801	SPACER	1
006	DA013011549	SHIM	1
007	DA3151400910	RING	1
008	DA1710401801	SPACER	1
009	DA1110450003	RING & PINION	1
010	DA016283658	BOLT	12
011	DA013011475	SHIM	1
012	DA005090496	TAPER ROLLER BEARING	1
013	DA1110405601	DIFFERENTIAL CARRIER	1
014	DA1710401101	FRICITION WASHER	1
015	DA1110405801	DIFFERENTIAL SIDE GEAR	1
016	DA1710400401	DIFFERENTIAL PINION	4
017	DA1710401201	FRICITION WASHER	4
018	DA1110403401	SHAFT	2
019	DA014033539	PIN	3

020	DA1110403301	SHAFT	1
021	DA1110403202	SHAFT RETAINER	1
022	DA1110402602	DIFFERENTIAL SIDE GEAR	1
023	DA1110406001	FRICTION WASHER	1
024	DA1110404501	CLUTCH DISC	7
025	DA000727330	INTERMEDIATE CLUTCH DISC	8
026	DA005452335	BEARING	1
027	DA002063536	CIRCLIP	1
028	DA005103166	BUSH	1
029	DA000345621	SHIM	1
030	DA002053540	CIRCLIP	1
031	DA001050041	O-RING	1
032	DA9530102501	COVERPLATE	1

### 03. TRANSMISSION FRONT AXLE (4)

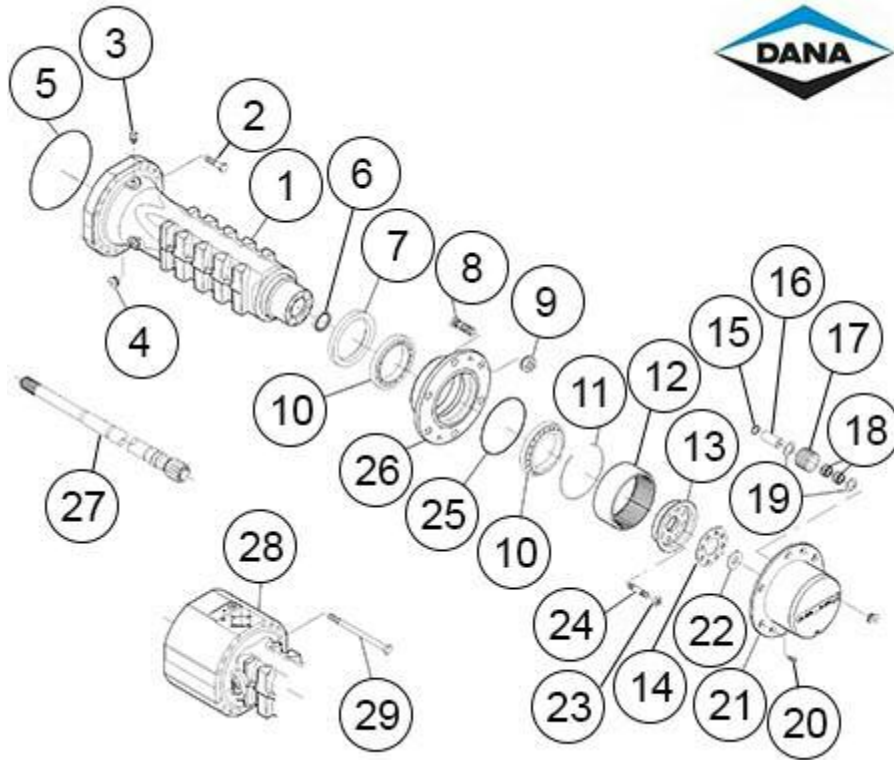


FIGURE	REFERENCE	DENOMINATION	AMOUNT
001	DA1110601202	AXLE CASE	1
002	DA016031317	BOLT	16
003	DA7020100301	VENT	1
004	DA3551461001	PLUG	3
005	DA001051037	O-RING	2
006	DA001011349	RING	2
007	DA001211393	O-RING	2
008	DA8190600606	BOLT, WHEEL	12
009	DA006080206	WHEEL NUT	12
010	DA005101380	BEARING	4
011	DA1110601901	CIRCLIP	2
012	DA1110601802	RING GEAR	2
013	DA1110602301	RING GEAR SUPPORT	2
014	DA1110600701	LOCKING PLATE	2
015	DA002021024	CIRCLIP	6
016	DA1110601601	SHAFT	6
017	DA1110601503	DIFFERENTIAL PINION	6
018	DA005130171	NEEDLE BEARING	12

019	DA1110601701	FRICTION WASHER	12
020	DA016062055	BOLT	4
021	DA1110602201	PLANET GEAR CARRIER	2
022	DA1120601702	WASHER	2
023	DA006022961	NUT	16
024	DA1110600601	STUD	16
025	DA001051350	RING	2
026	DA1110602101	WHEEL HUB	2
027	DA1110602401	HALF SHAFT	2
028	DA1110600803	AXLE CASE	1
029	DA016033541	BOLT	16

## 03. TRANSMISSION

### FRONT AXLE (5)

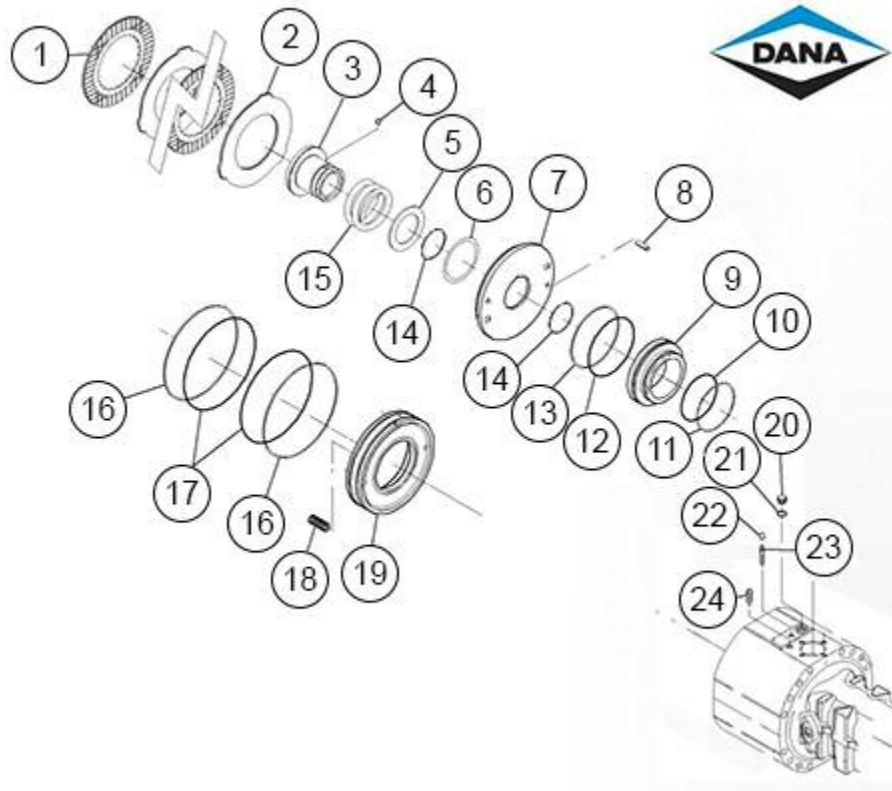


FIGURE	REFERENCE	DENOMINATION	AMOUNT
001	DA1120761102	BRAKE DISC	6
002	DA1110701503	INTERMEDIATE BRAKE DISC	6
003	DA1110403004	BUSHING	1
004	DA012010249	DETEND BALL	1
005	DA1110402902	NOT AVAILABLE	1
006	DA013010311	SHIM	2
007	DA1110702203	INTERMEDIATE BRAKE DISC	1
008	DA014033601	ROLL PIN	2
009	DA1110702002	PISTON	1
010	DA001050691	O-RING	1
011	DA1110701601	BACK-UP RING	1
012	DA7380710201	O-RING	1
013	DA7380710401	BACK-UP RING	1
014	DA002053599	CIRCLIP	2
015	DA1110403103	SPRING	1
016	DA1830700301	BACK-UP RING	2
017	DA001050808	O-RING	2
018	DA1710701002	SPRING	3



019	DA1110701403	PISTON	1
020	DA016101441	BOLT	1
021	DA011071215	O-RING	1
022	DA7340701501	CAP	1
023	DA7340701401	BOLT	1
024	DA016090451	GRUB BOLT	1

### 03. TRANSMISSION FRONT AXLE (6)

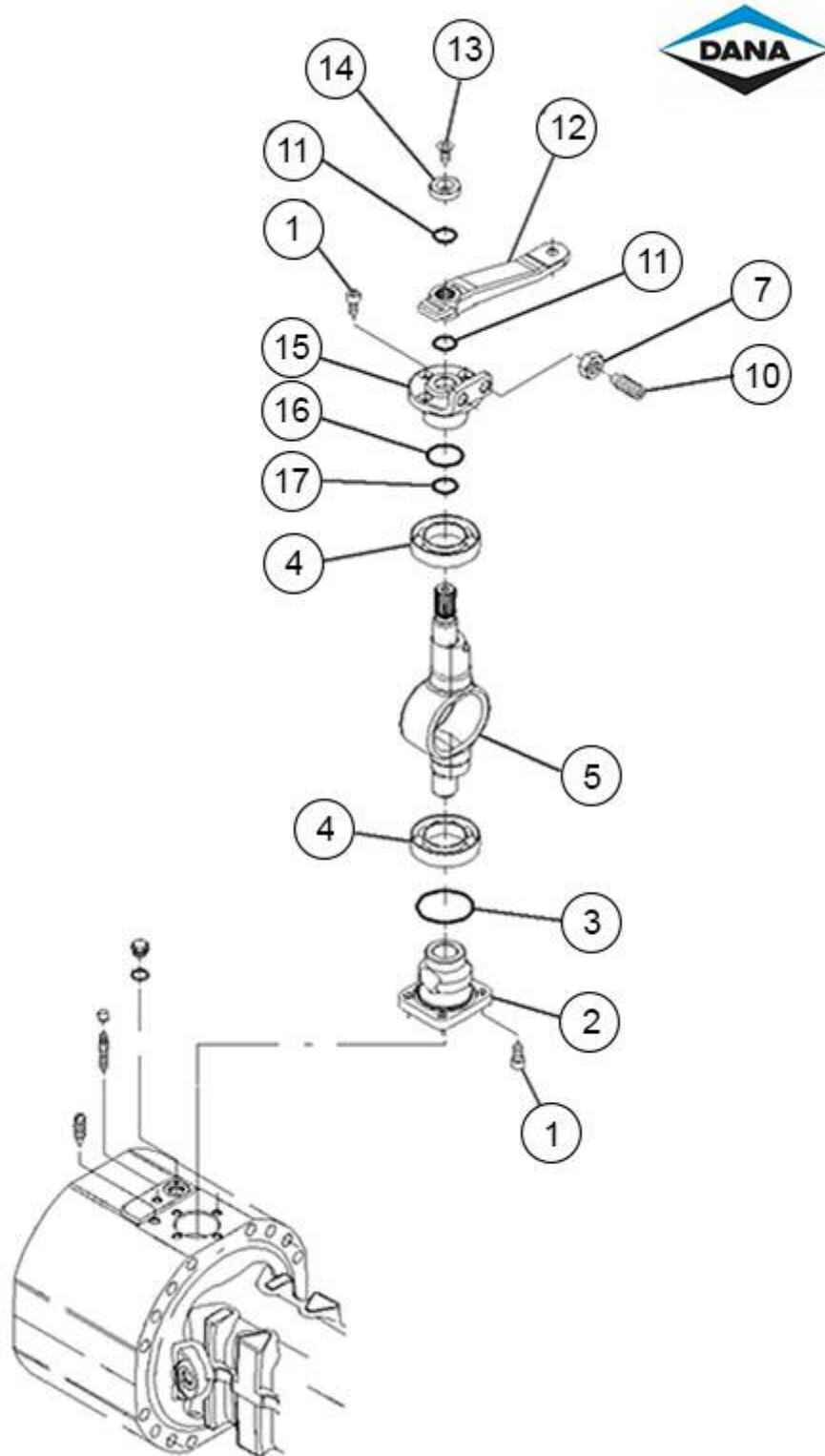


FIGURE	REFERENCE	DENOMINATION	AMOUNT
001	DA016040705	CYLINDER BOLT	7

002	DA1110702801	REDUCTION BUSHING	1
003	DA001051608	O-RING	1
004	DA005010116	BEARING	2
005	DA1110702701	BRAKE LEVER	1
007	DA006030198	NUT	1
010	DA016113234	BOLT	1
011	DA001051358	O-RING	1
012	DA7380702606	LEVER	1
013	DA016060439	COUNTERSUNK BOLT	1
014	DA1710700701	WASHER	1
015	DA1120701506	REDUCTION BUSHING	1
016	DA001051494	O-RING	1
017	DA001051588	O-RING	1



## 03. TRANSMISSION

### REAR AXLE (1)

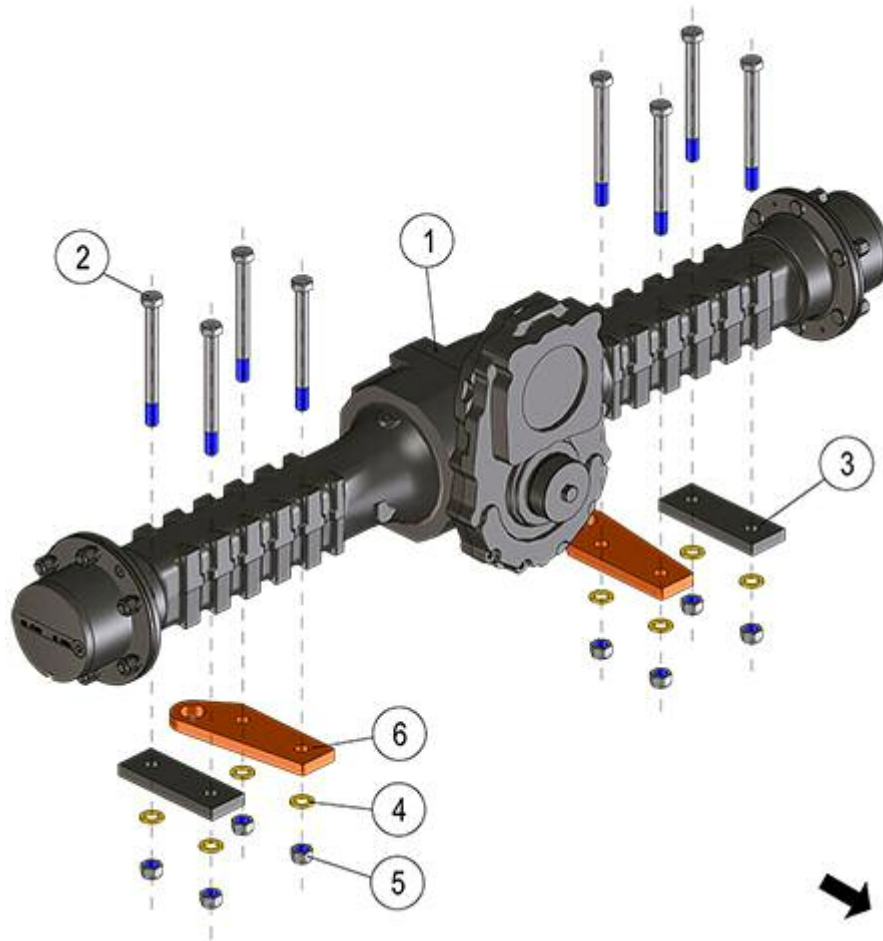


FIGURE	REFERENCE	DENOMINATION	AMOUNT
001	65.03317.00	REAR FIX AXL	1
002	604.20210.86	TORNILLO DIN931 M20x210	8
003	65.03318.00	STRIP 200x70x20	2
004	101.20000.66	WASHER DIN125	8
005	711.20000.66	NUT	8
006	65.03310.00		2

### 03. TRANSMISSION

#### REAR AXLE (2)

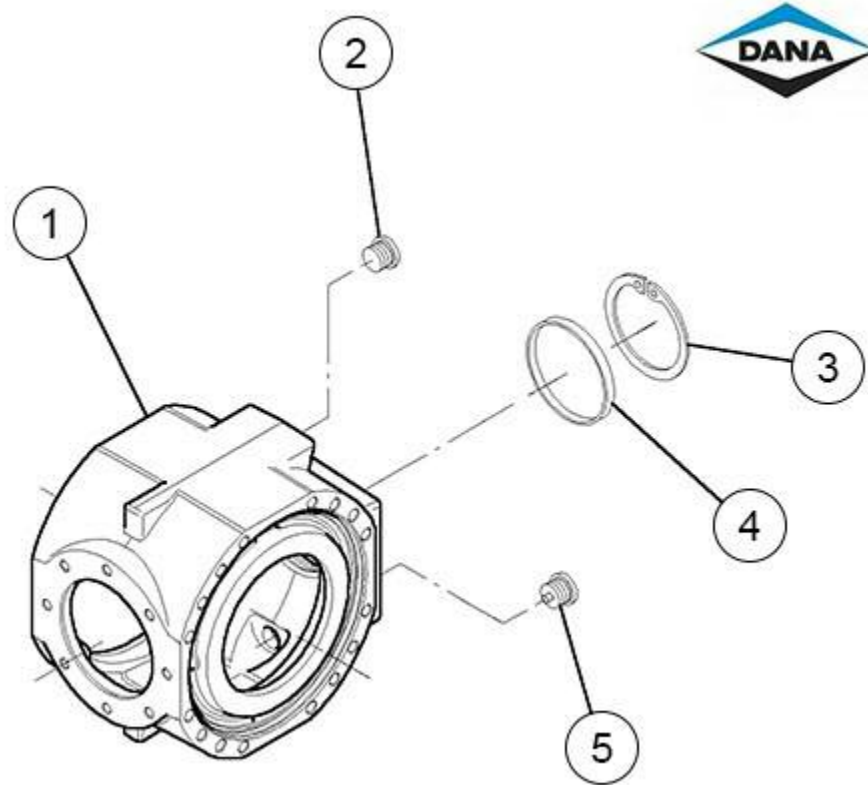


FIGURE	REFERENCE	DENOMINATION	AMOUNT
001	DA1110100301	HOUSING	1
002	DA3551461001	PLUG	1
003	DA002020088	CIRCLIP	1
004	DA1710101504	CAP	1
005	DA3551461102	TAPON ROTURA DOBLE	1

### 03. TRANSMISSION REAR AXLE (3)

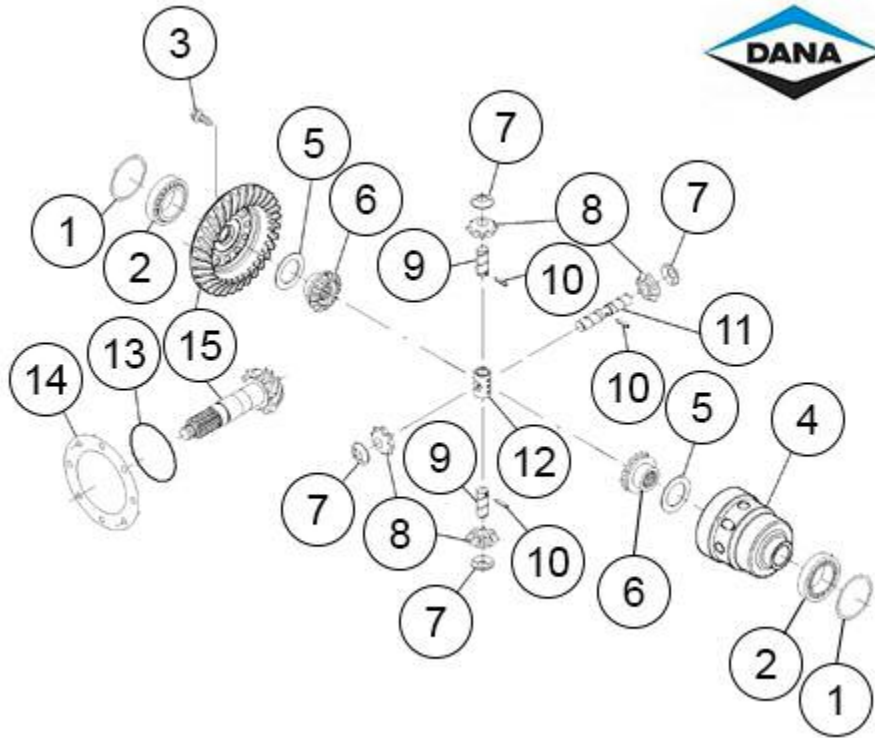


FIGURE	REFERENCE	DENOMINATION	AMOUNT
001	DA013011475	SHIM	2
002	DA005090496	TAPER ROLLER BEARING	2
003	DA016283658	BOLT	12
004	DA1110405701	DIFFERENTIAL CARRIER	1
005	DA1710401101	FRICTION WASHER	2
006	DA1110405801	DIFFERENTIAL SIDE GEAR	2
007	DA1710401201	FRICTION WASHER	4
008	DA1710400401	DIFFERENTIAL PINION	4
009	DA1110403401	SHAFT	2
010	DA014033539	PIN	3
011	DA1110403301	SHAFT	1
012	DA1110403202	SHAFT RETAINER	1
013	DA001051443	O - RING	1
014	DA1710100601	SHIM	1
015	DA1110450806	BEVEL GEAR SET	1

### 03. TRANSMISSION

#### REAR AXLE (4)

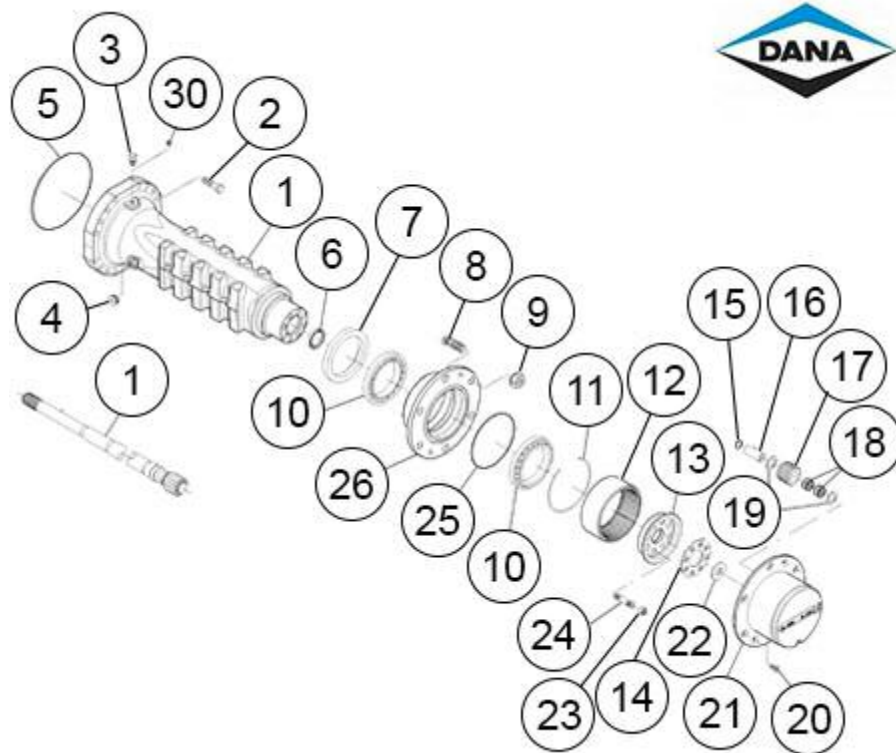


FIGURE	REFERENCE	DENOMINATION	AMOUNT
001	DA1110601202	AXLE CASE	1
002	DA016031317	BOLT	16
003	DA7020100301	VENT	1
004	DA3551461001	PLUG	3
005	DA001051037	O-RING	2
006	DA001011349	RING	2
007	DA001211393	O-RING	2
008	DA8190600606	BOLT, WHEEL	12
009	DA006080206	WHEEL NUT	12
010	DA005101380	BEARING	4
011	DA1110601901	CIRCLIP	2
012	DA1110601802	RING GEAR	2
013	DA1110602301	RING GEAR SUPPORT	2
014	DA1110600701	LOCKING PLATE	2
015	DA002021024	CIRCLIP	6
016	DA1110601601	SHAFT	6
017	DA1110601503	DIFFERENTIAL PINION	6
018	DA005130171	NEEDLE BEARING	12

019	DA1110601701	FRICTION WASHER	12
020	DA016062055	BOLT	4
021	DA1110602201	PLANET GEAR CARRIER	2
022	DA1120601702	WASHER	2
023	DA006022961	NUT	16
024	DA1110600601	STUD	16
025	DA001051350	RING	2
026	DA1110602101	WHEEL HUB	2
027	DA1110602401	HALF SHAFT	2
028	DA1110600803	AXLE CASE	1
029	DA016033541	BOLT	16

## 03. TRANSMISSION

### REAR AXLE (5)

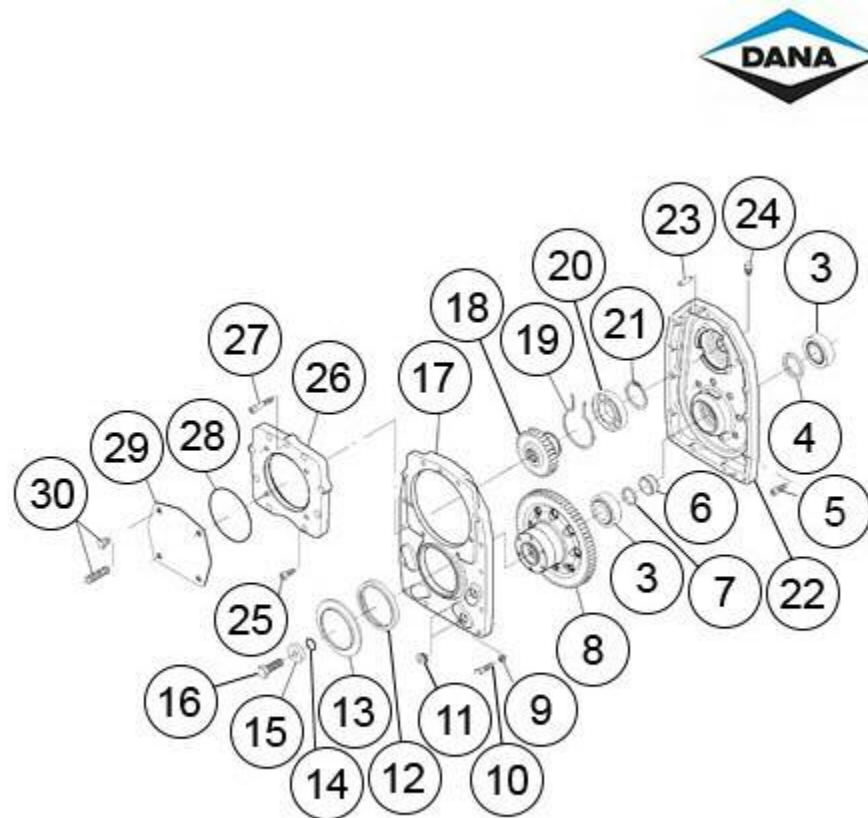


FIGURE	REFERENCE	DENOMINATION	AMOUNT
003	DA005092938	BEARING	2
004	DA001433687	O-RING	1
005	DA016040787	BOLT	8
006	DA3151400801	SPACER	1
007	DA3151400910	RING	1
008	DA3151401806	GEAR	1
009	DA011010222	SPRING WASHER	10
010	DA016030394	BOLT	10
011	DA3551461001	PLUG	2
012	DA001133603	O-RING	1
013	DA3151400601	SHEET	1
014	DA001050041	O-RING	1
015	DA3151400503	WASHER	1
016	DA016023559	BOLT	1
017	DA3151401502	COVER	1
018	DA3131400611	GEAR	1

019	DA3131400501	CIRCLIP	1
020	DA005013296	BALL BEARING	1
021	DA002010636	CIRCLIP	1
022	DA3151401402	HOUSING	1
023	DA014020332	PIN	2
024	DA3151401601	VENT	1
025	DA016040421	CYLINDER BOLT	4
026	DA3131400301	COVER	1
027	DA016040748	CYLINDER BOLT	5
028	DA001052606	O-RING	1
029	DA7231405303	SHEET	1
030	DA016010378	BOLT	4

### 03. TRANSMISSION

#### CARDAN JOINT

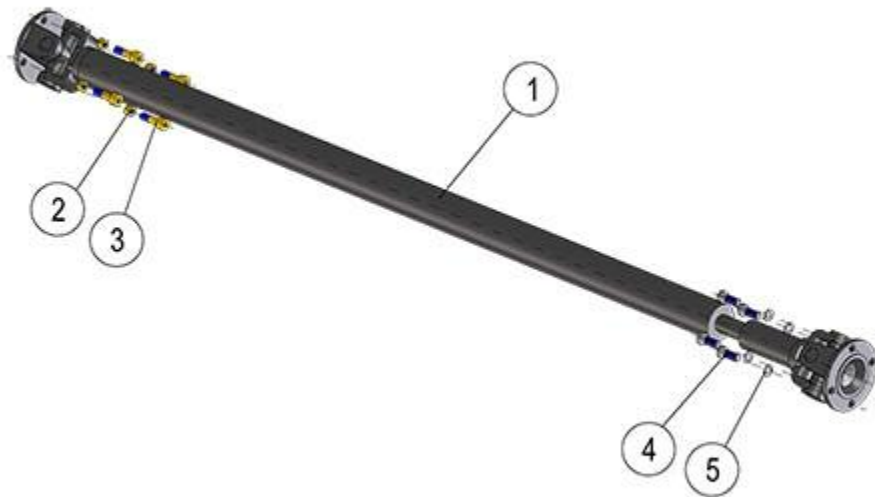


FIGURE	REFERENCE	DENOMINATION	AMOUNT
001	65.03616.01	DRIVE SHAFT 1350-1420 S-1310	1
002	711.08000.66	NUT DIN982 M8	4
003	65.03130.00	SCREW W3/8X31 16 HIL	4
004	65.03618.00	BOLT DIN912 M10x1,5x25	4
005	104.10000.00	WASHER DIN7980 D10	4



## 04. CHASSIS

### CHASSIS (PART 1)

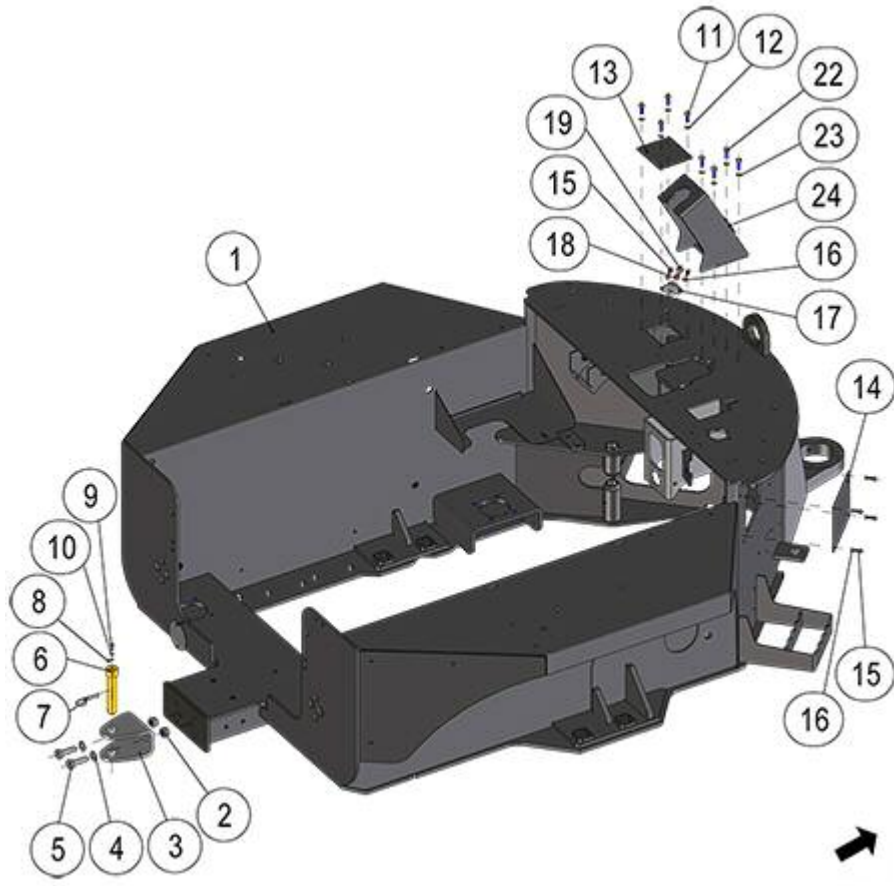


FIGURE	REFERENCE	DENOMINATION	AMOUNT
001	65.04102.05	REAR CHASIS 1964X1695X682	1
002	711.14000.66	NUT DIN982 M14 8.8 K	2
003	70.08090.00	support 80X100X125	1
004	101.14000.66	WASHER DIN125 D14	2
005	603.14045.86	SCREW DIN933 M14x45	2
006	15.00835.00	AXLE CPA/GRA 25x30x135	1
007	15.00836.00	PIN DIN11024 R4	1
008	15.00834.00	CHAIN	1
009	603.05015.86	SCREW DIN933	1
010	701.05000.66	NUT DIN934 M5x0.8	1
011	630.08025.96	SCREW ISO7380	4
012	104.08000.00	WASHER DIN7980 D8	4
013	65.04179.01	SUPPORT 255x131x117, STEERING	1
014	65.04187.00	COVER 180x144x2	1
015	603.06015.86	SCREW DIN933 M6x15	4
016	104.06000.00	WASHER DIN7980 D6	6



017	64.10187.00		1
018	43.50129.00	CAP	1
019	64.10189.00		1

# 04. CHASSIS

## CHASSIS (PART 2)

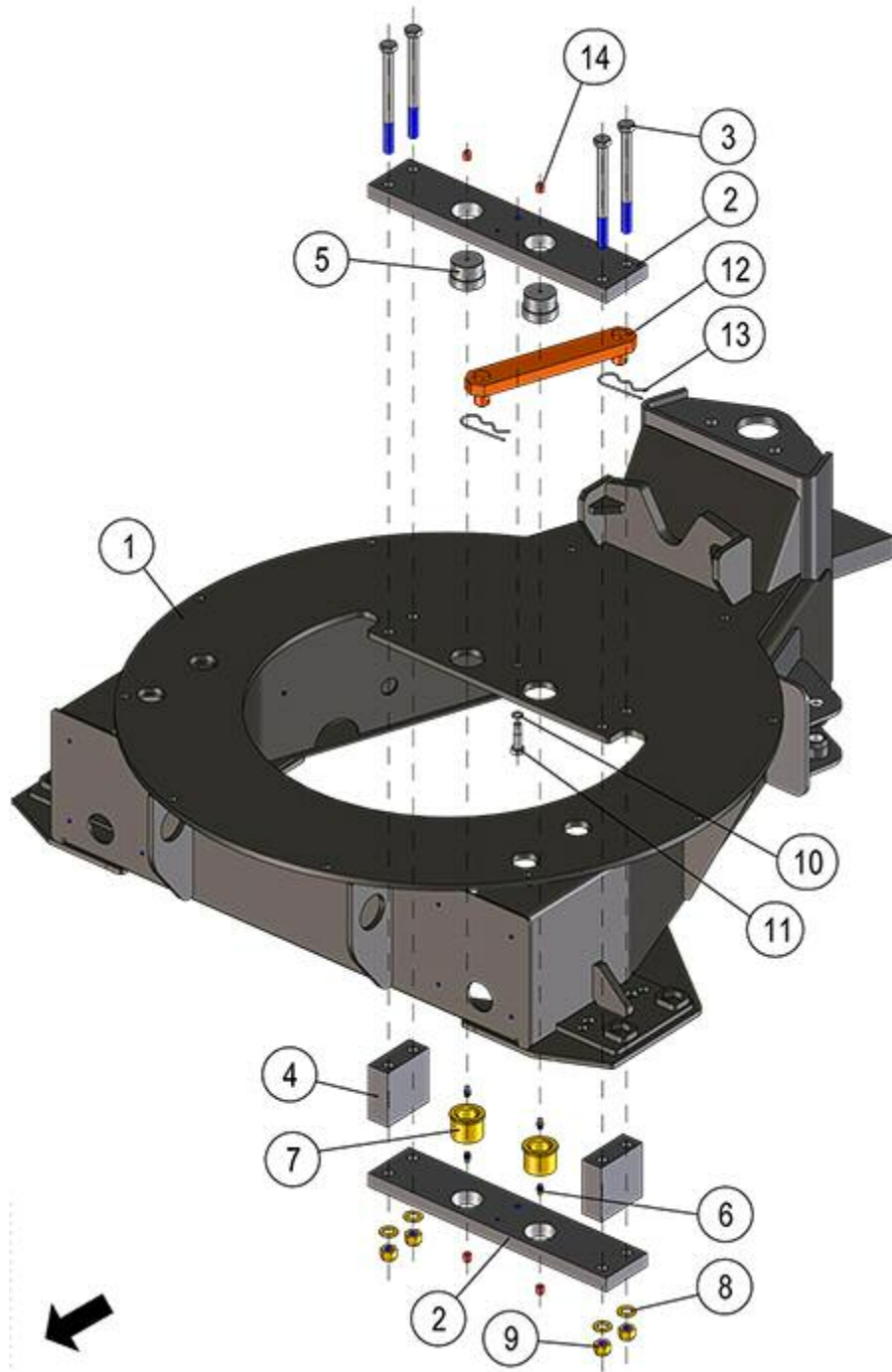


FIGURE	REFERENCE	DENOMINATION	AMOUNT
001	65.04100.05	TRILATERAL CHASSIS 1347X1087X4	1
002	64.04226.00	SUPPORT 25x100x490, FIXING	2
003	604.16190.97	SCREW DIN931 M16X190 12K	4
004	64.04227.00	SUPPORT 50x100x100, FIXING	2
005	64.04229.01	BUSHING 32x51x56	2

006	901.08000.33	GREASER DIN71412-A M8x1,25	4
007	64.04228.00	BUSHING 9,5x32x51	2
008	101.16000.66	WASHER DIN125 D16	4
009	711.16000.86	NUT DIN982 M16 C8	4
010	104.12000.00	WASHER DIN7980 D12	1
011	604.12045.86	SCREW DIN931	1
012	64.06223.00	CON ROD 50x55x300	1
013	15.00836.02	PIN	2
014	43.50129.00	CAP	4

# 04. CHASSIS

## CHASSIS AXLE

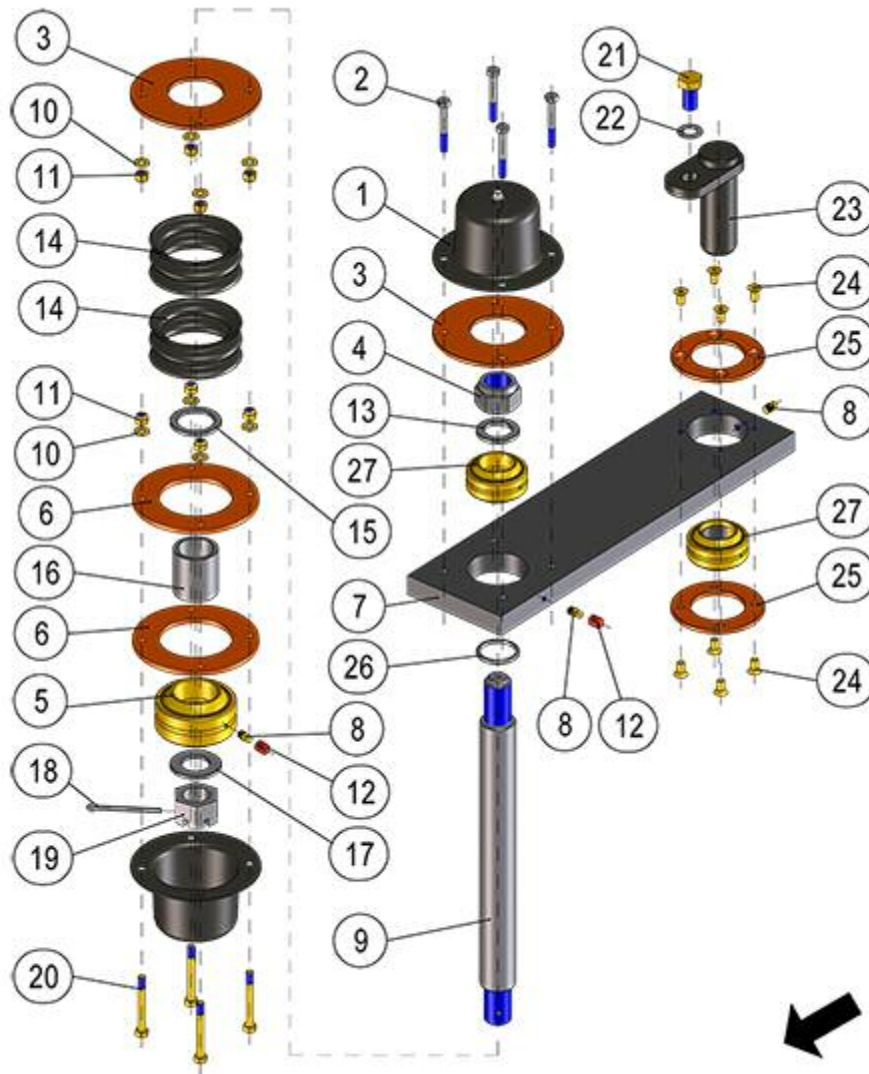


FIGURE	REFERENCE	DENOMINATION	AMOUNT
001	64.06210.02	COVER Ø93X145	2
002	604.08060.86	SCREW DIN931 M8x60	4
003	65.04142.00	COVER 145x5	2
004	720.30000.66	NUT	1
005	941.50056.00	BUSHING	1
006	65.04143.00	COVER 140x6	1
007	65.04141.01	CON ROD 68x507	1
008	901.08000.33	GREASER DIN71412-A M8x1,25	3
009	65.04144.00	AXLE	1
010	101.08000.66	WASHER DIN125 D8	8
011	711.08000.66	NUT DIN982 M8	8

012	43.50129.00	CAP	2
013	65.04148.00	WASHER 31x48x5	1
014	64.06214.00	DUST EXCLUDER 43x103	2
015	65.04149.00	WASHER 41x57x4.5	1
016	65.04145.00	BUSHING 40x50x56	1
017	65.04147.00	WASHER 31x57x4.5	1
018	401.06070.60	PIN DIN94 6x70	1
019	01.01319.00	NUT DIN935 M30x2x30	1
020	604.08070.86	SCREW DIN931	4
021	603.16030.86	BOLT DIN933 M16x30	1
022	104.16000.00	CIR-CLIP EXT. DIN7980	1
023	64.06224.00	SPINDLE 40x120	1
024	618.08016.86	FLAT HEAD SOCKET CAP SCREW DIN7991 M8x16	8
025	64.06219.00	COVER 6x104	2
026	65.04146.00	WASHER 41x48x5	1
027	941.40040.00	BUSHING	2

# 05. BRAKE ACTIVATION FOOT BRAKE

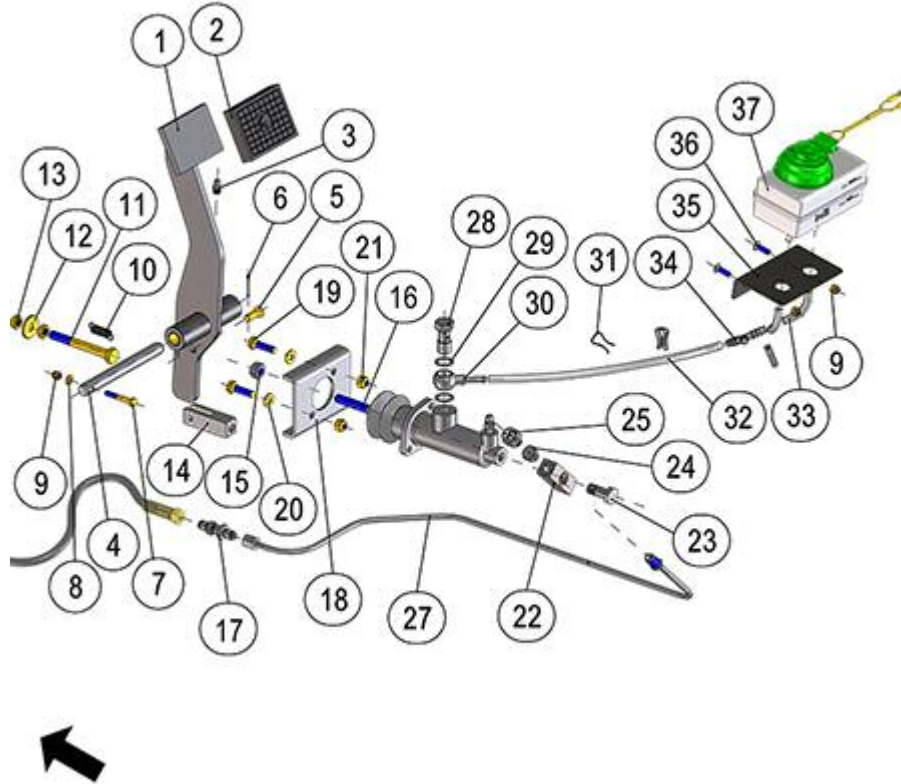


FIGURE	REFERENCE	DENOMINATION	AMOUNT
001	65.05111.00	PEDAL, BRAKE	1
002	43.07310.01	PANEL	1
003	901.08000.33	GREASER DIN71412-A M8x1,25	1
004	65.05113.00	SHAFT CYL/CYL 15x152	1
005	01.00514.02	AXLE CIL/CPA	1
006	401.02025.60	PIN DIN94 2x25	1
007	604.06040.86	SCREW DIN931 M6x40	1
008	101.06000.66	WASHER DIN125 D6	1
009	711.06000.66	NUT DIN982 M6	3
010	01.00139.00	SPRING TENSION	1
011	604.10090.86	NUT	1
012	112.10000.66	WASHER DIN9021 D10	1
013	701.10000.66	NUT DIN934 M10x1.5	2
014	01.00564.01	ART. FORK	1
015	01.01304.00	NUT	1
016	65.05119.00	FOOTPUMP 1 1-16 36,5	1

017	64.05123.00	FITTING M/M	1
018	65.41800.00	SUPPORT	1
019	603.08030.86	SCREW DIN933 M8X30	2
020	101.08000.66	WASHER DIN125 D8	2
021	711.08000.66	NUT DIN982 M8	2
022	55.00758.00	NIPPLE	1
023	55.00757.20	NIPPLE SCREW SIM.	1
024	80.01090.00	CAP	1
025	43.01520.00	BRAKE FLUID SWITCH	1
027	65.05116.00	HYDRAULIC STEEL PIPE, BUNDY 4 524X149,5X81	1
028	67.05101.00		1
029	106.16000.20	WASHER CU 16x22x1,5	2
030	67.05102.00		1
031	948.01107.00	CLAMP SPRING	3
032	469.15009.00	PLASTIC HOSE 6X9	1
034	20.05003.00	NIPPLE FORT TB/TB/TB	1
035	65.05133.00		1
036	618.06020.86	SCREW DIN7991	2
037	65.05150.00		1



## 05. BRAKE ACTIVATION TUBES

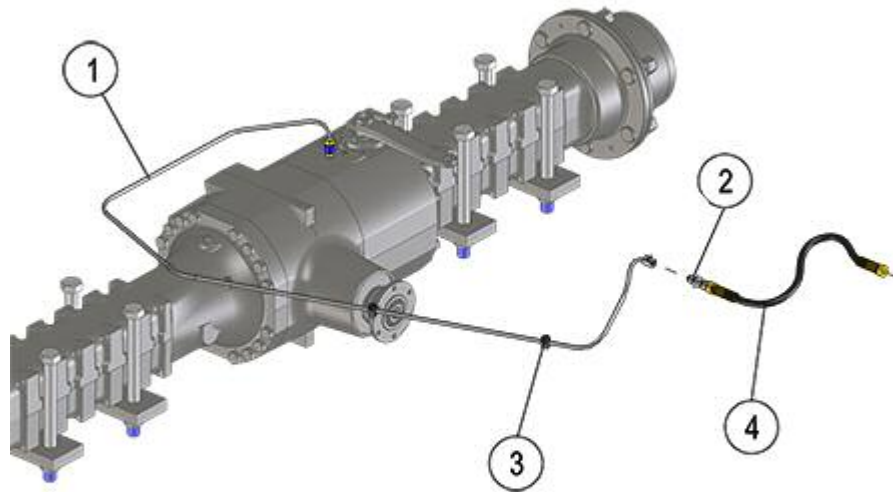


FIGURE	REFERENCE	DENOMINATION	AMOUNT
001	65.05131.00	TUBE BUNDY4 559X224X877	1
002	64.05119.00	HOSE, FLEXIBLE DR7 408	1
002	64.05123.00	FITTING M/M	1
003	929.05000.00	TUBE GUIDE SUPPORT	3

## 05. BRAKE ACTIVATION HANDBRAKE (PART 1)

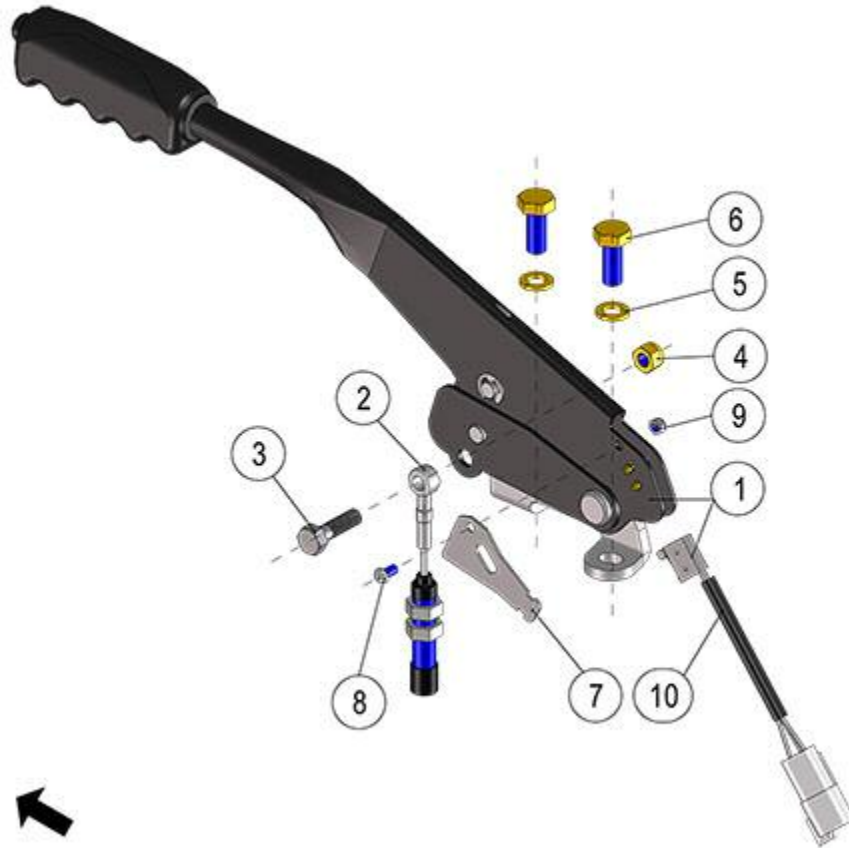


FIGURE	REFERENCE	DENOMINATION	AMOUNT
001	63.05010.01	BRAKE LEVER ACTUATION	1
002	64.05113.05	BRAKE CABLE, DANA 4x3850	1
003	603.08030.86	SCREW DIN933 M8X30	1
004	711.08000.66	NUT DIN982 M8	1
005	105.10000.66	WASHER DIN7980 D10	2
006	603.10025.86	SCREW DIN933 M10x25	2
007	65.05225.00	WIRE FIXING BRACKET	1
008	630.05010.96	SCREW ISO7380	1
009	720.05000.66	NUT DIN985 M5	1
010	65.05223.00	HAND BRAKE SENSOR	1

## 05. BRAKE ACTIVATION

### HANDBRAKE (PART 1)

CHASSIS: 91227

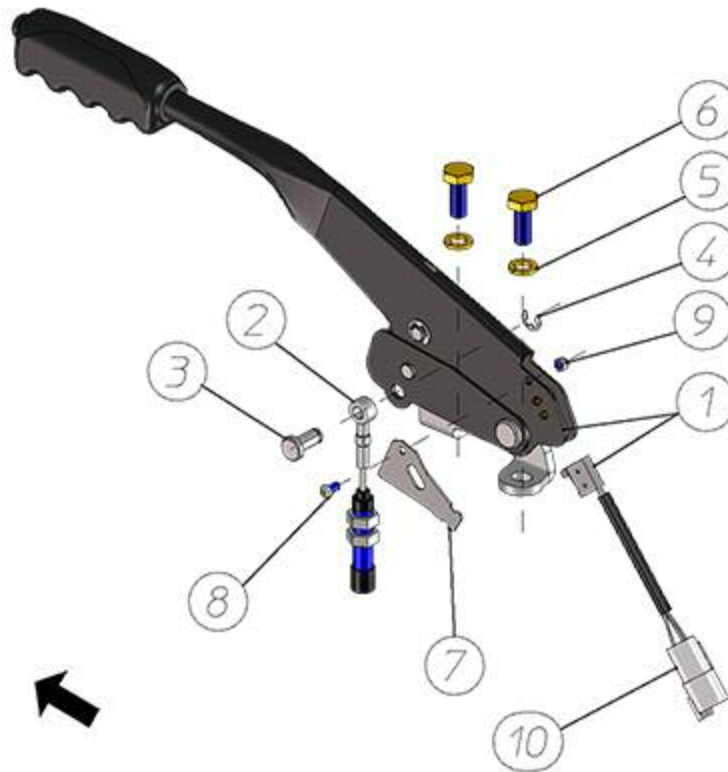


FIGURE	REFERENCE	DENOMINATION	AMOUNT
001	63.05010.01	BRAKE LEVER ACTUATION	1
002	64.05113.05	BRAKE CABLE, DANA 4x3850	1
003	67.05201.00	AXLE CAS/CPA	1
004	961.07000.00	RING	1
005	105.10000.66	WASHER DIN7980 D10	2
006	603.10025.86	SCREW DIN933 M10x25	2
007	65.05225.00	WIRE FIXING BRACKET	1
008	630.05010.96	SCREW ISO7380	1
009	720.05000.66	NUT DIN985 M5	1
010	65.05223.00	HAND BRAKE SENSOR	1

## 05. BRAKE ACTIVATION HANDBRAKE (PART 2)

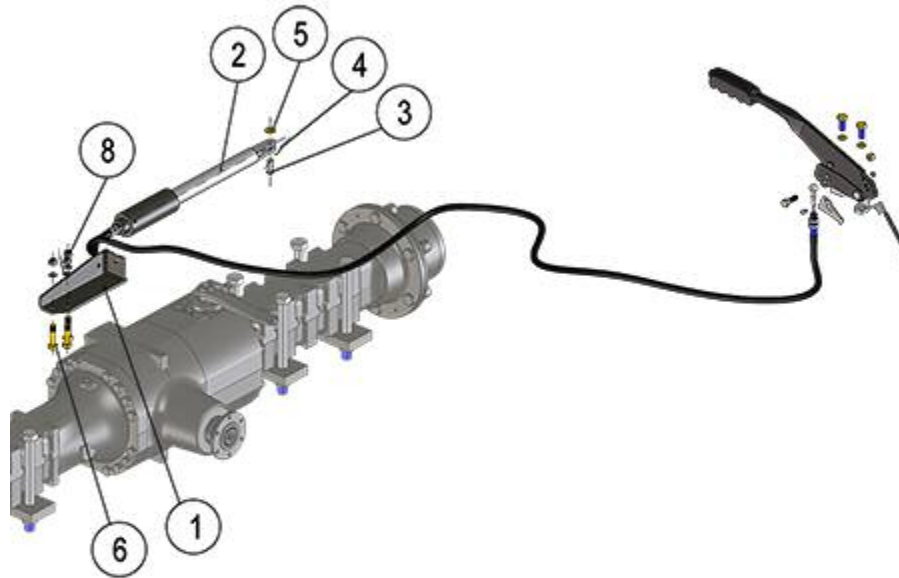


FIGURE	REFERENCE	DENOMINATION	AMOUNT
001	65.04190.00	SUPPORT	1
002	64.05113.05	BRAKE CABLE, DANA 4x3850	1
003	65.03117.00	PIN 9,8x28	1
004	401.02025.60	PIN DIN94 2x25	1
005	101.10000.66	WASHER DIN125 D10	4
006	604.10045.86	SCREW DIN931	3
008	711.10000.66	SHOCK ABSORBER	3

## 06. STEERING

### STEERING (PART 1)

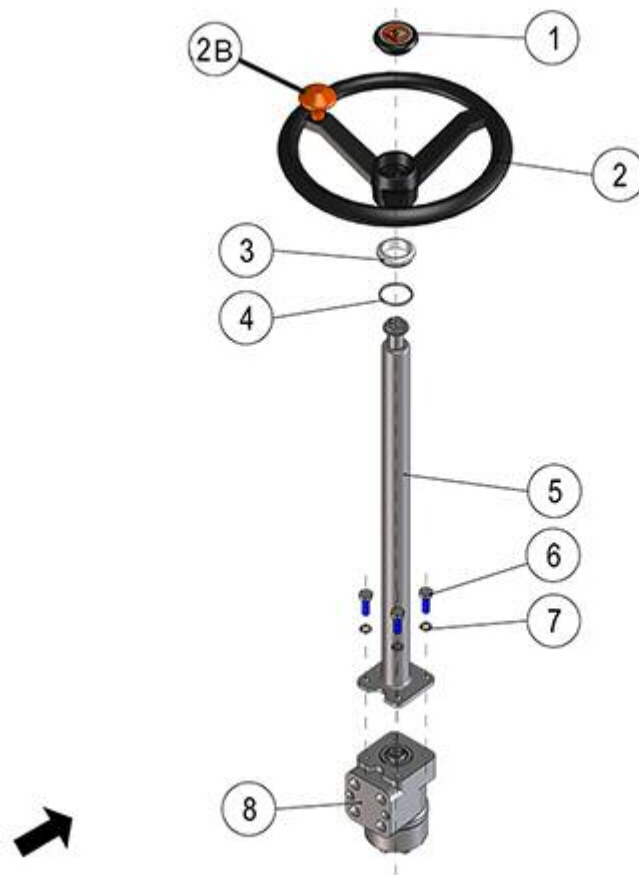


FIGURE	REFERENCE	DENOMINATION	AMOUNT
001	00.00626.05	TRIM	1
002	15.01016.01	STEERING WHEEL D21-315 WITH POMMEL	1
002B	15.10161.01	KNOB	1
003	15.20727.01	NYLON BEARING 17X38X52	1
004	201.03953.50	O-RING DIN3770 D39.5XD3	1
005	65.06212.00	STEERING COLUMN	1
006	603.10030.87	SCREW DIN 933 M10x30	4
007	104.10000.00	WASHER DIN7980 D10	4
008	65.06211.00	HYDROSTATIC STEERING	1

## 06. STEERING

### STEERING (PART 2)

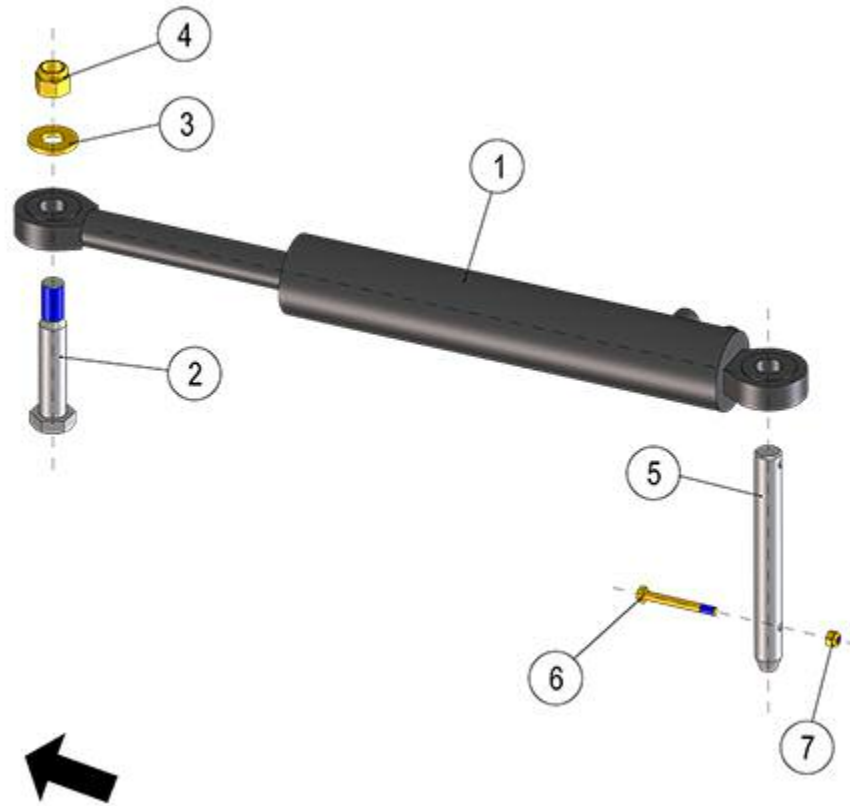


FIGURE	REFERENCE	DENOMINATION	AMOUNT
001	65.06210.00	CYLINDER	1
002	64.04225.00	SHAFT 36x20x140	1
003	15.00561.00	WASHER DIN125 20.5x45x5	1
004	711.20000.66	NUT	1
005	65.06213.00	SHAFT CYL/CYL 25x220	1
006	604.08070.86	SCREW DIN931	1
007	711.08000.66	NUT DIN982 M8	1

## RUEDAS WHEELS

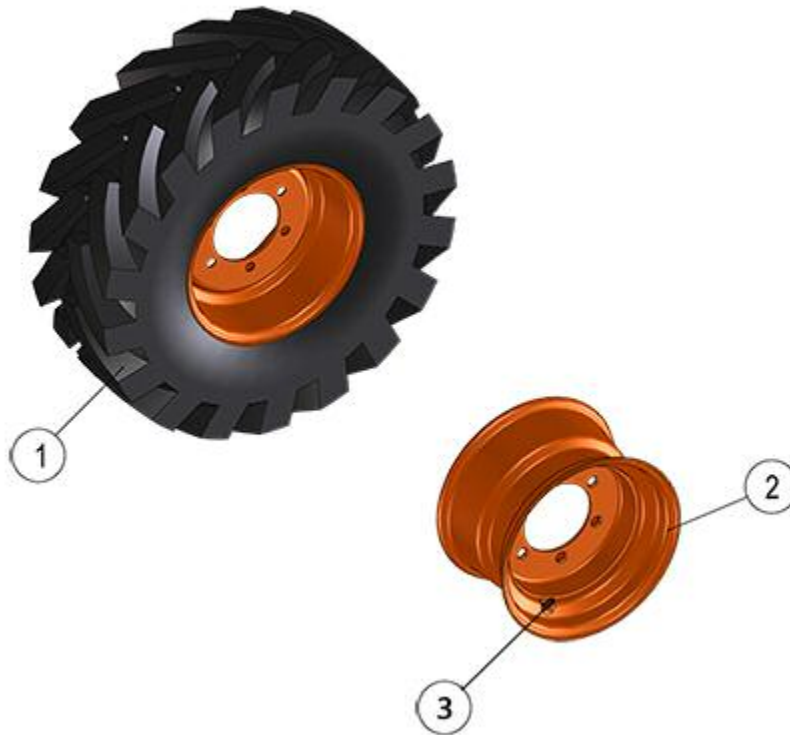


FIGURE	REFERENCE	DENOMINATION	AMOUNT
001	65.07100DE02	WHEEL MOUNTED RIGHT 295/ 80-15.3	1
001	65.07100IZ02	WHEEL MOUNTED LEFT 295/ 80-15.3	1
002	65.07113.01	RIM 15.3-9.00	1
003	70.07023.00	TUBELESS VALVE TR415	1

# 08. BODYWORK SHEETS (1)

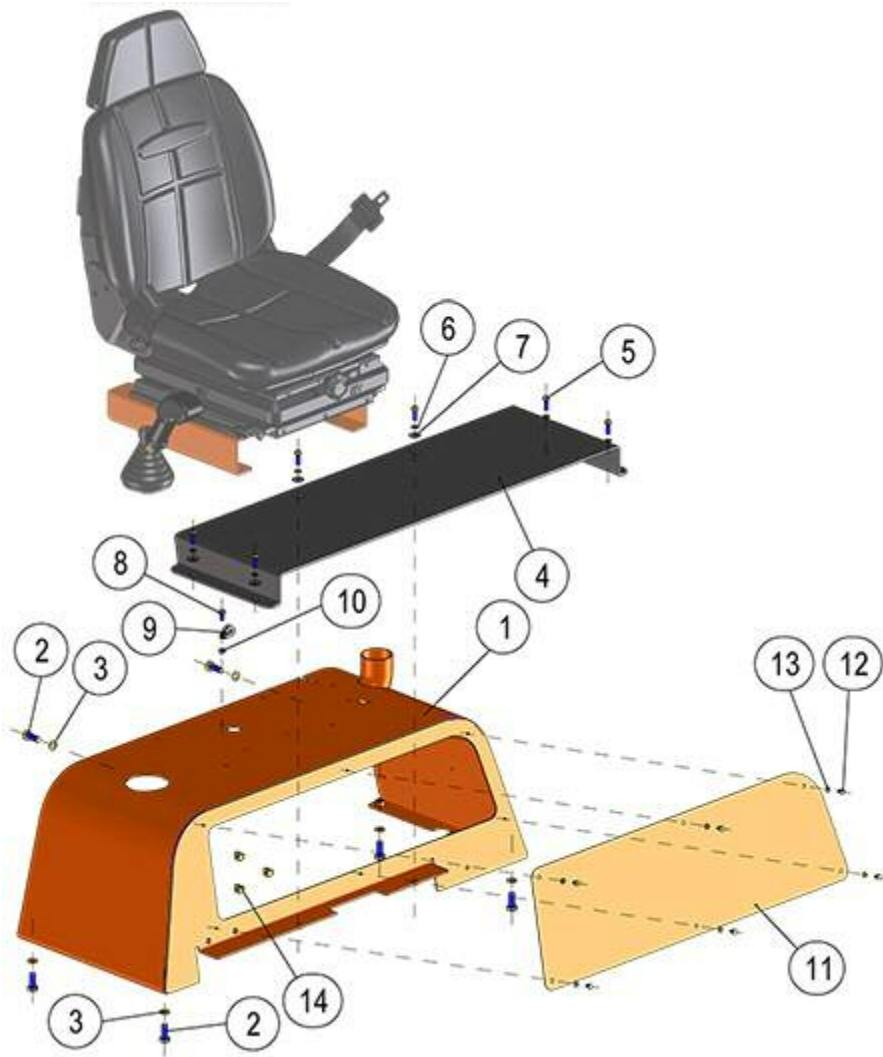


FIGURE	REFERENCE	DENOMINATION	AMOUNT
001	67.08130.00	FLANGE SEAT	1
002	603.12030.86	SCREW DIN933 M12x30	6
003	105.12000.66	WASHER DIN7980 D12	6
004	65.08119.00	COVER 1041x303x70	1
005	603.08025.86	SCREW DIN933 M8x25	6
006	105.08000.66	CIR-CLIP EXT. DIN7980 D8	6
007	112.08000.66	WASHER DIN9021 D8	6
008	603.08015.86	SCREW DIN933 M8x15	1
009	830.01408.00	LOOP CLAMP D14x8	1
010	711.08000.66	NUT DIN982 M8	1
011	67.08126.00	COVER	1
012	603.06010.86	SCREW DIN933 M6x10	6





013	105.06000.66	CIR-CLIP DIN7980	6
014	726.08003.66	NUT M8x3	3

## 08. BODYWORK SHEETS (2)

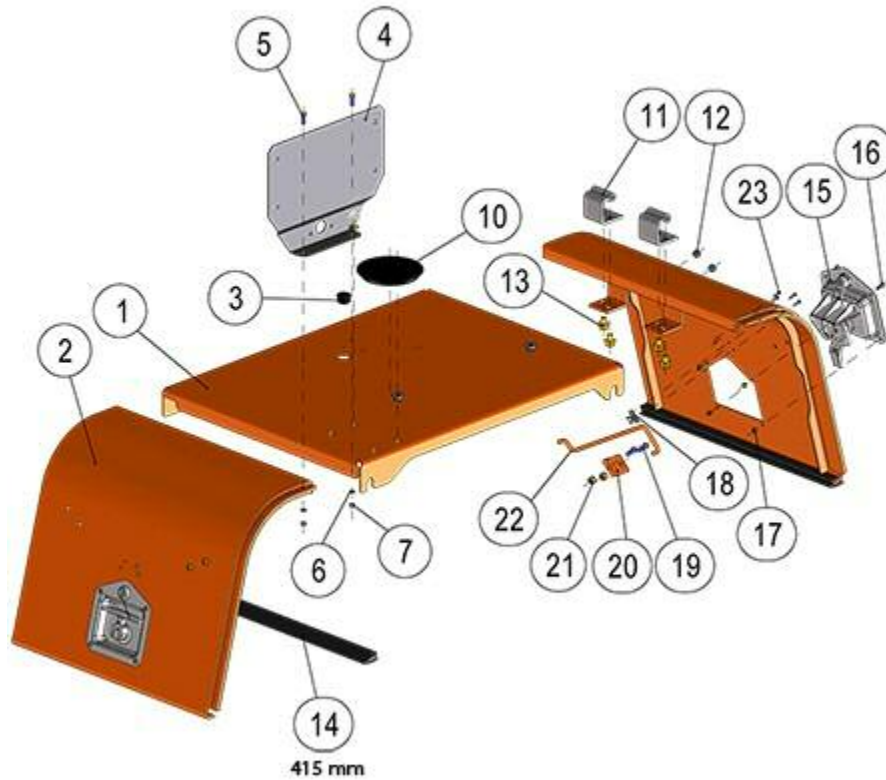


FIGURE	REFERENCE	DENOMINATION	AMOUNT
001	67.08111.01	COVER	1
002	67.08112.00	COVER	2
003	02.32022.00	CAP	1
004	66.13300.00	NUMBER PLATE SUPPORT 250x196x30x1.5 (7022)	1
005	603.05015.86	SCREW DIN933	2
006	104.05000.00	WASHER DIN7980 D5	2
007	701.05000.66	NUT DIN934 M5x0.8	2
010	02.00757.01	CAP	1
011	64.08116.00	HINGE 8x40	2
012	02.32008.00	PLASTIC PLUG	4
013	634.08010.86	SCREW DIN6921 M8x10	4
014	472.00410.00	RUBBER PROFILE 22X22	2
015	64.08119.00	CLOSING WITH KEY	2
016	615.04015.66	SCREW DIN84 M4x15	8
017	701.04000.66	NUT DIN934 M4	8
018	65.08121.00	HOSE CLAMP Ø6	1

019	630.06015.96	SCREW ISO7380 M6x15	2
020	65.08116.00	CLAMP 7	1
021	701.06000.66	NUT DIN934 M6X1	2
022	65.08115.00	ROD	1

## 08. BODYWORK

### CAB

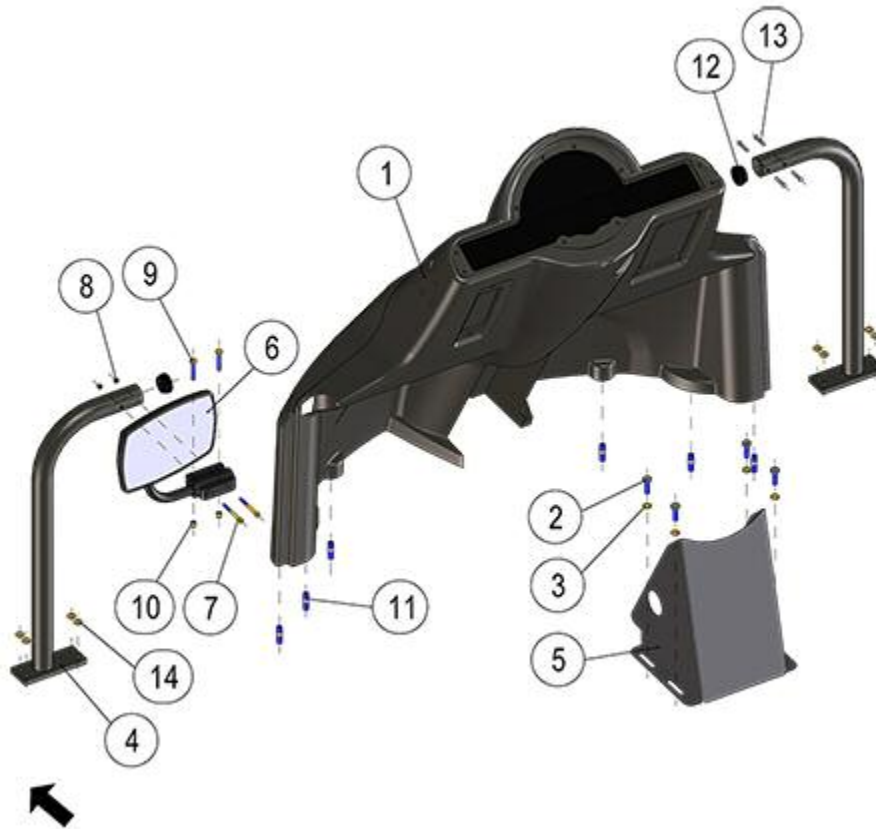
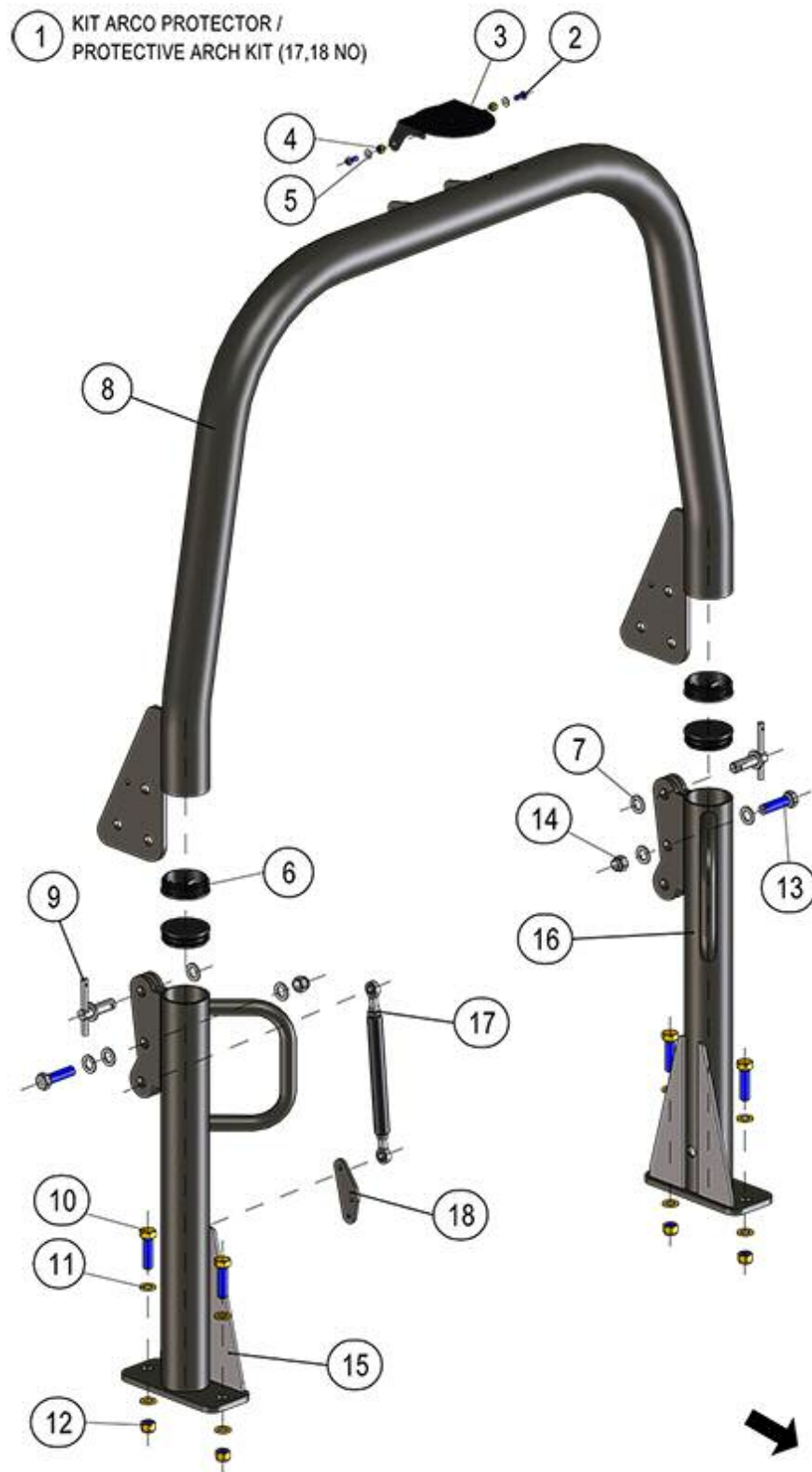


FIGURE	REFERENCE	DENOMINATION	AMOUNT
001	65.08211.01	DIRECTION SUPPORT PROTECTOR	1
002	603.08025.86	SCREW DIN933 M8x25	6
003	105.08000.66	CIR-CLIP EXT. DIN7980 D8	6
004	64.04412.00	TUBE, METALLIC	2
005	65.08212.00	COVER 280x224x223	1
006	09.11009.00	REARVIEW MIRROR COMPLETE ASSY	1
007	601.05050.86	SCREW DIN912	2
008	711.05000.66	NUT DIN982 M5	2
009	603.06035.86	SCREW DIN933 M6x35	2
010	711.06000.66	NUT DIN982 M6	2
011	15.00435.01	STUD DIN938 33 M10x1.5	6
012	13.08035.00	COUNTERWEIGHT CAP	2
013	502.05025.60	RIVET DIN1476 5x25 (POP)	4

# 08. BODYWORK

## ROPS ARCH



FIGURE

REFERENCE

DENOMINATION

AMOUNT

001	64.08180.00	ROPS	1
002	630.08020.96	SCREW ISO7380	2
003	70.08106.01	PIN SUPPORT 170X150X2	1
004	711.08000.66	NUT DIN982 M8	2
005	116.08000.00	WASHER DIN125 A D8	2
006	64.08175.00	CAP. Ø90 - 465.604 - BLACK	4
007	101.18000.66	BEARING DIN125 D18	7
008	64.08118.04	PROTECTOR ARCH	1
009	70.08104.00	PIN WITH CHAIN	2
010	603.18065.86	SCREW M9	4
011	101.16000.66	WASHER DIN125 D16	8
012	711.16000.66	NUT DIN982 M16 8.8 K	4
013	604.18070.86	SCREW DIN931	2
014	20.04039.00	NUT	2
015	64.08182.00		1
016	64.08181.00		1
017	10.11085.01	GAS SPRING 1600N	1
018	64.08148.00	GAS SPRING SUPPORT	1

## 08. BODYWORK

### JOYSTICK LEVER

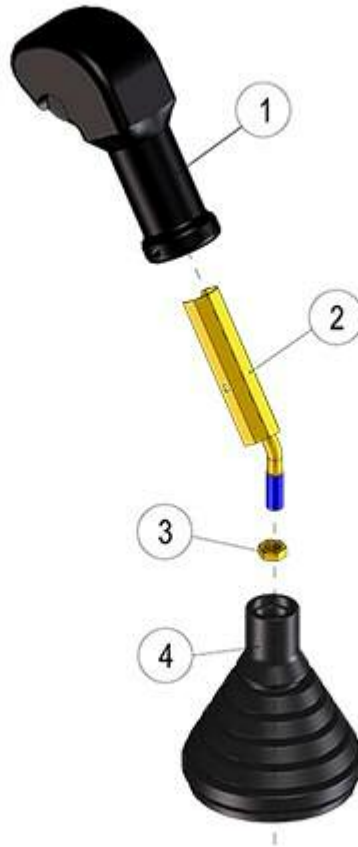


FIGURE	REFERENCE	DENOMINATION	AMOUNT
001	66.11108.01		1
002	10.13154.02	AXIS CIL/ROS 180XD25XM10	1
003	701.10000.66	NUT DIN934 M10x1.5	1
004	43.50349.00	DUST PROTECTOR	1

## 08. BODYWORK

### SEAT



FIGURE	REFERENCE	DENOMINATION	AMOUNT
001	66.08240.00	REDUCED HEIGHT SEAT WITH SENSOR	1
001.1	57.08003.02	SENSOR SEAT	1
002	67.08125.00	SEAT FIXATION SUPPORT	1
003	101.08000.66	WASHER DIN125 D8	4
004	711.08000.66	NUT DIN982 M8	4
005	66.08241.00	ORANGE SEAT BELT WITH SENSOR	1



## 08. BODYWORK

### SEAT

CHASSIS: 91512



FIGURE	REFERENCE	DENOMINATION	AMOUNT
001	24.08005.00	DRIVERS SEAT	1
001.1	57.08003.02	SENSOR SEAT	1
002	67.08125.00	SEAT FIXATION SUPPORT	1
003	101.08000.66	WASHER DIN125 D8	4
004	711.08000.66	NUT DIN982 M8	4

## 08. BODYWORK COUNTERWEIGHT

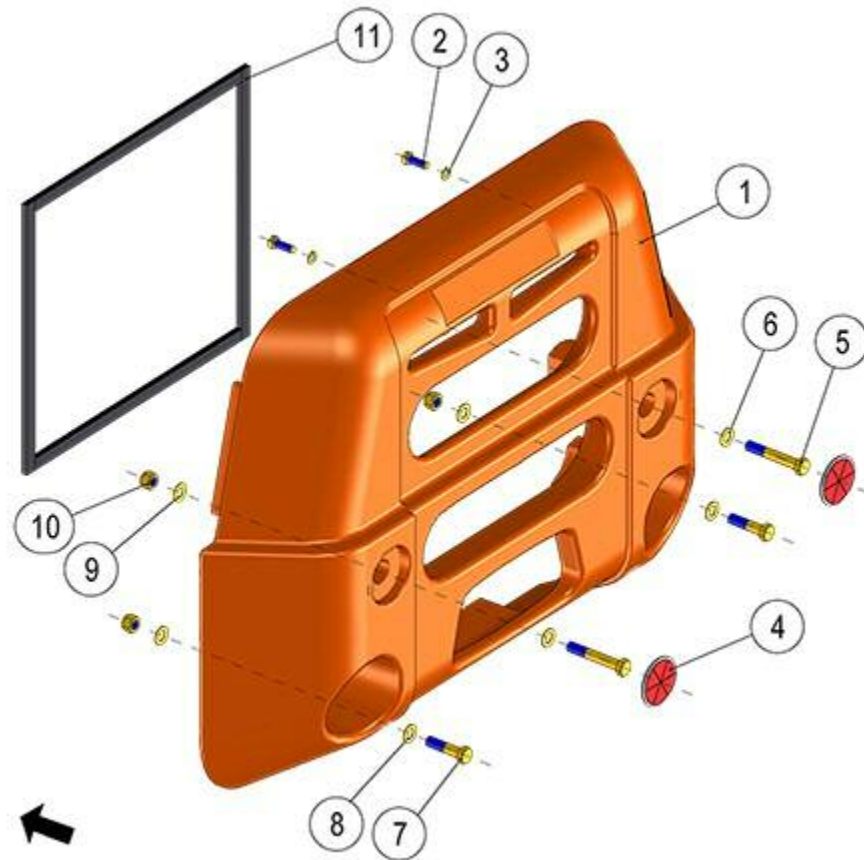


FIGURE	REFERENCE	DENOMINATION	AMOUNT
001	65.08310.01	ENGINE BALANCE WEIGHT 203KG	1
002	603.12035.86	SCREW DIN933	2
003	105.12000.66	WASHER DIN7980 D12	2
004	10.11017.00	RED REFLECTOR	2
005	604.16100.86	SCREW DIN931	2
006	101.16000.66	WASHER DIN125 D16	2
007	601.16075.86	SCREW	2
008	101.16000.66	WASHER DIN125 D16	2
009	101.16000.66	WASHER DIN125 D16	4
010	711.16000.66	NUT DIN982 M16 8.8 K	4

## 09. MACHINE FUNCTIONS

### HOPPER (01)

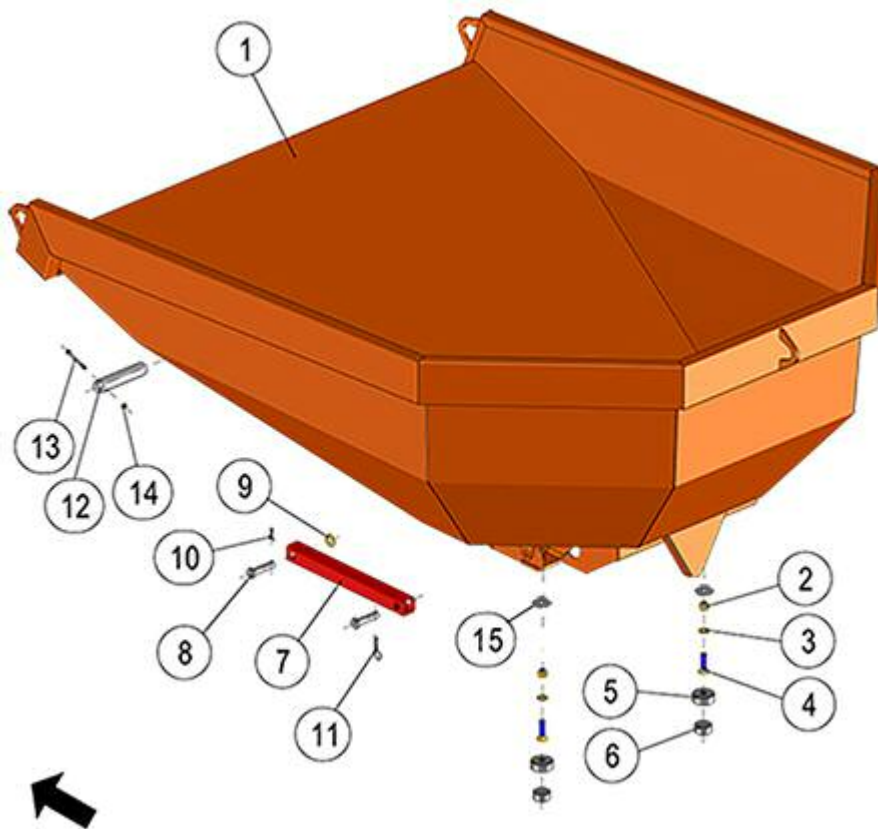


FIGURE	REFERENCE	DENOMINATION	AMOUNT
001	65.09400.00	BIN 720 L	1
002	711.16000.86	NUT DIN982 M16 C8	2
003	101.16000.66	WASHER DIN125 D16	2
004	618.16060.86	FLAT HEAD SOCKET CAP SCREW DIN7991 M16x60	2
005	20.03003.00	SHOCK ABSORVER SUPPORT	2
006	20.03002.00	BUTT	2
007	64.09215.00	SUPPORT 50x50x5, HOSE GUIDE	1
008	64.09216.00	SHAFT CYL/CYL 30x20x90	2
009	101.20000.66	WASHER DIN125	1
010	401.45040.60	SPLIT PIN DIN94	1
011	15.00836.00	PIN DIN11024 R4	1
012	65.09110.00	AXLE	1
013	603.08075.86	SCREW DIN933	1
014	711.08000.66	NUT DIN982 M8	1
015A	43.70833.00	WASHER 65X16X5	0
015B	63.04428.00		0

## 09. MACHINE FUNCTIONS IMPLEMENTS

### ROTATING HOPPER SUPPORT

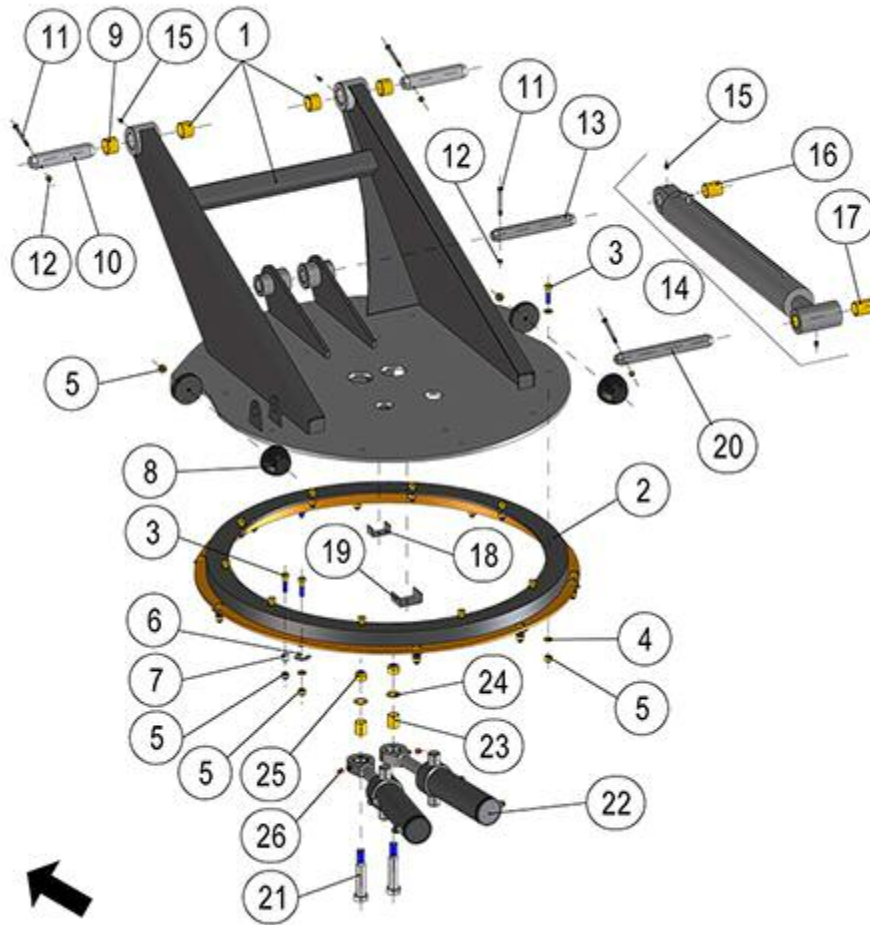


FIGURE	REFERENCE	DENOMINATION	AMOUNT
001	65.09600.02	SUPPORT 1378X1107X680	1
002	65.09621.00	WHEEL 1050x865x52	1
003	604.12045.96	SCREW DIN931 M12x45	23
004	101.12000.66	WASHER DIN125 D12	40
005	711.12000.86	NUT DIN982 M12 C8	25
006	64.09217.00	SUPPLEMENT 0.2x14	15
007	48.03456.00	CAP D18-D12-L20 DIN179	3
008	64.08021.00	PROGRESSIVE SHOCK ABSORBER	2
009	949.04030.00	BUSHING 40x44x30 DIN 1494	4
010	65.09110.00	AXLE	2
011	603.08075.86	SCREW DIN933	4
012	711.08000.66	NUT DIN982 M8	4
013	65.09623.00	CYL/CYL AXLE 35X248	1
014	65.09510.00	CYLINDER 72x1480	1

014.1	65.09511.00	SEAL KIT	1
015	901.08000.33	GREASER DIN71412-A M8x1,25	4
016	949.03520.00	BUSHING 35x39x20 DIN 1494	1
017	949.03550.00		2
018	64.10120.00	CLAMP U-FORM	1
019	70.10993.00		1
020	65.09115.00	CYLINDRICAL SHAFT	1
021	64.04225.00	SHAFT 36x20x140	2
022	64.09214.03	CYLINDER D/E 70X152X351	2
022.1	64.09214.10	NOT AVAILABLE	1
023	64.04230.00	BUSHING 2.5x25x30	2
024	101.20000.66	WASHER DIN125	2
025	711.20000.66	NUT	2
026	43.50129.00	CAP	2

## 10. HYDRAULIC INSTALLATION DISTRIBUTOR

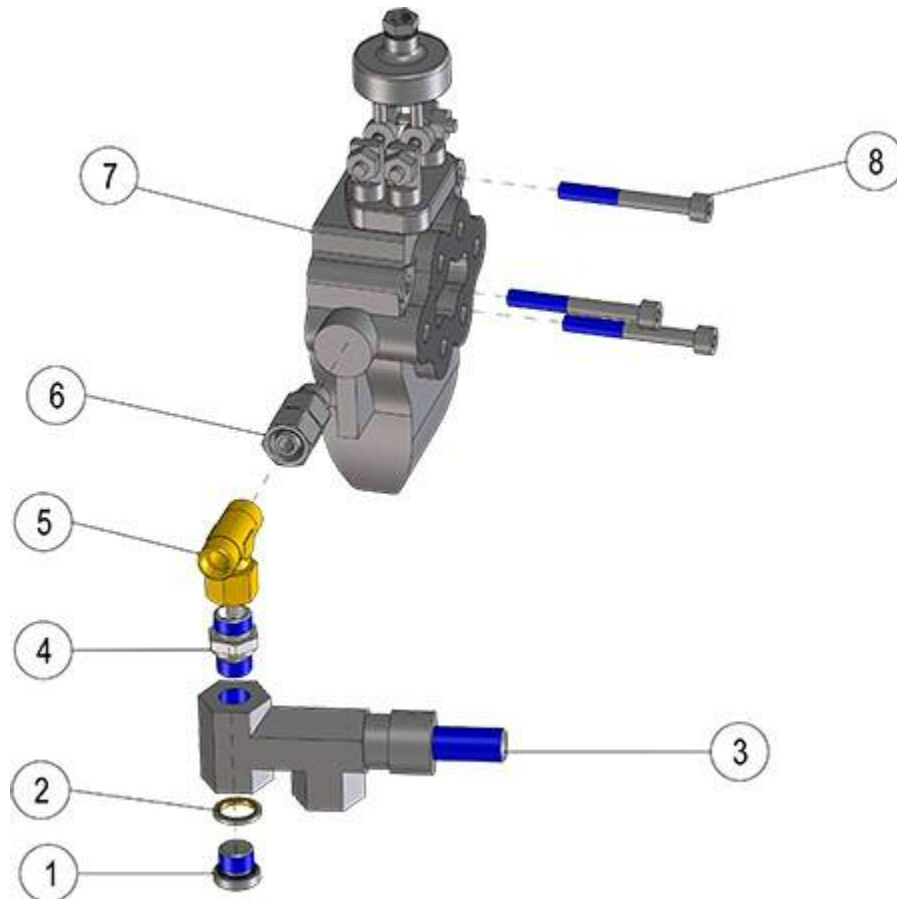


FIGURE	REFERENCE	DENOMINATION	AMOUNT
001	60.00802.00	CAP	1
002	08.00317.00	METALLIC GASKET BUNA D3/8	1
003	67.10116.00	RELIEF	1
004	70.10222.00	FITTING M/M M18x3/8BSP	1
005	46.58113.00	RACOR FORT M/TL/M M18	1
006	70.10237.00	FITTING M/TL 3/8GAS - M18x1,5	1
007	64.10112.00	CONTROL VALVE 2E	1
008	601.08065.86	SCREW DIN912 M8x65	3

## 10. HYDRAULIC INSTALLATION

### HYDRAULIC TANK

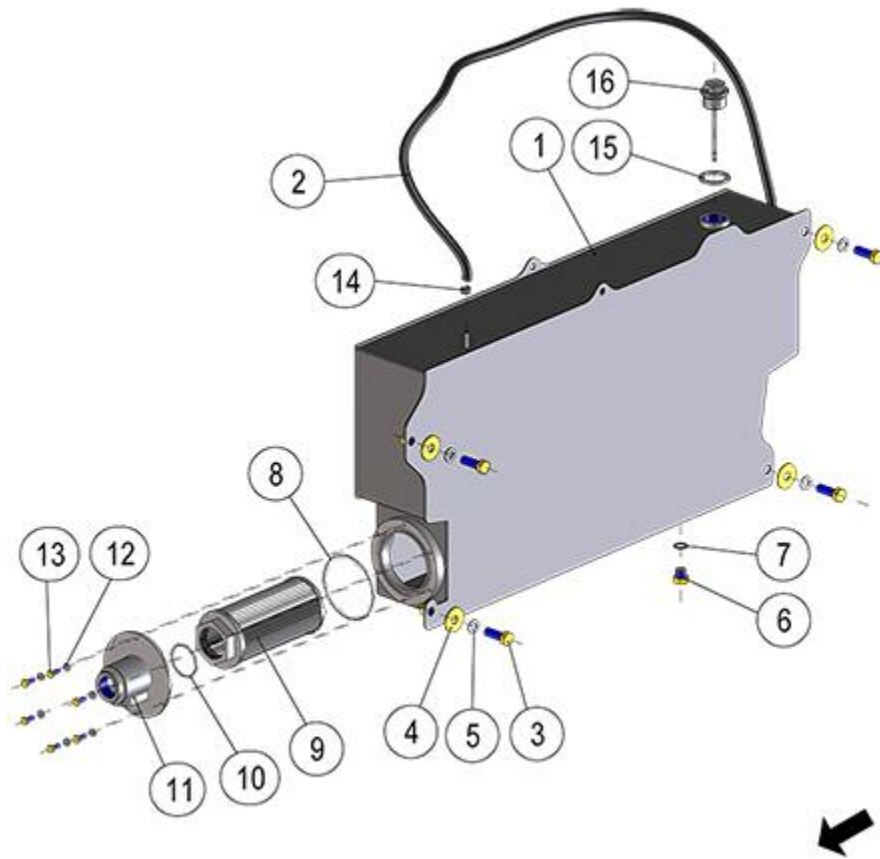


FIGURE	REFERENCE	DENOMINATION	AMOUNT
001	65.10510.00	OIL TANK	1
002	469.03012.00	HOSE L/P MAT.	1
003	604.12035.86	SCREW DIN931 M12x35	4
004	112.12000.66	WASHER DIN9021 D 12X36	4
005	105.12000.66	WASHER DIN7980 D12	4
006	00.02803.00	SCREW DIN910*	1
007	107.14000.10	WASHER AL 14x20x1.5	1
008	201.95003.50	O-RING DIN3770	1
009	58.01810.00	HIDRAULIC CATRIDGE INTANK	1
010	201.46003.50	O-RING DIN3770 46x52x3	1
011	43.70406.01	AD. FILTER SUPPORT	1
012	104.06000.00	WASHER DIN7980 D6	6
013	603.06015.86	SCREW DIN933 M6x15	6
014	948.01208.00	FLANGE	1
015	43.13444.00	GASKET MET. BUNA	1
016	46.10052.00	DIPSTICK 1 D5x85	1

## 10. HYDRAULIC INSTALLATION

### OIL TANK

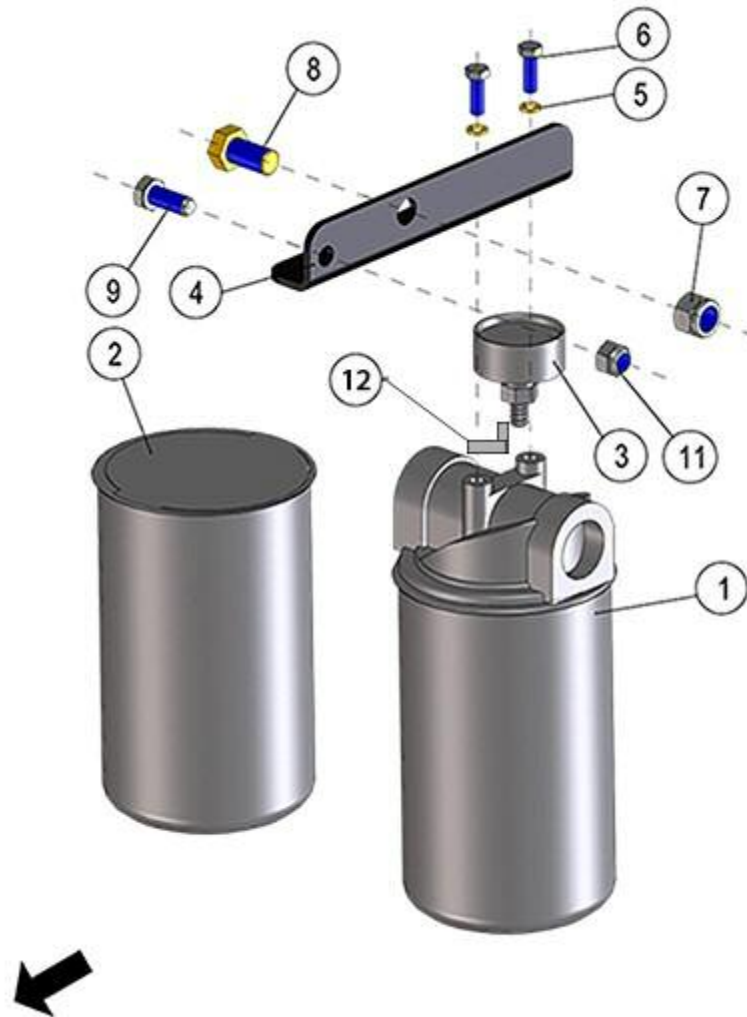


FIGURE	REFERENCE	DENOMINATION	AMOUNT
001	60.20101.00	COMPLETE OIL FILTER	1
002	60.20100.00	FILTER ELEMENT	1
003	60.20102.00	INDICATOR	1
004	67.10701.00	OIL FILTER FIXATION SUPPORT	1
005	10.02144.00	ELBOW C90M/H NIPPLE	2
006	603.08025.86	SCREW DIN933 M8x25	2
007	711.16000.66	NUT DIN982 M16 8.8 K	1
008	603.16030.86	BOLT DIN933 M16x30	1
009	603.12030.86	SCREW DIN933 M12x30	1
012	10.02144.00	ELBOW C90M/H NIPPLE	1



# 10. HYDRAULIC INSTALLATION WORKING

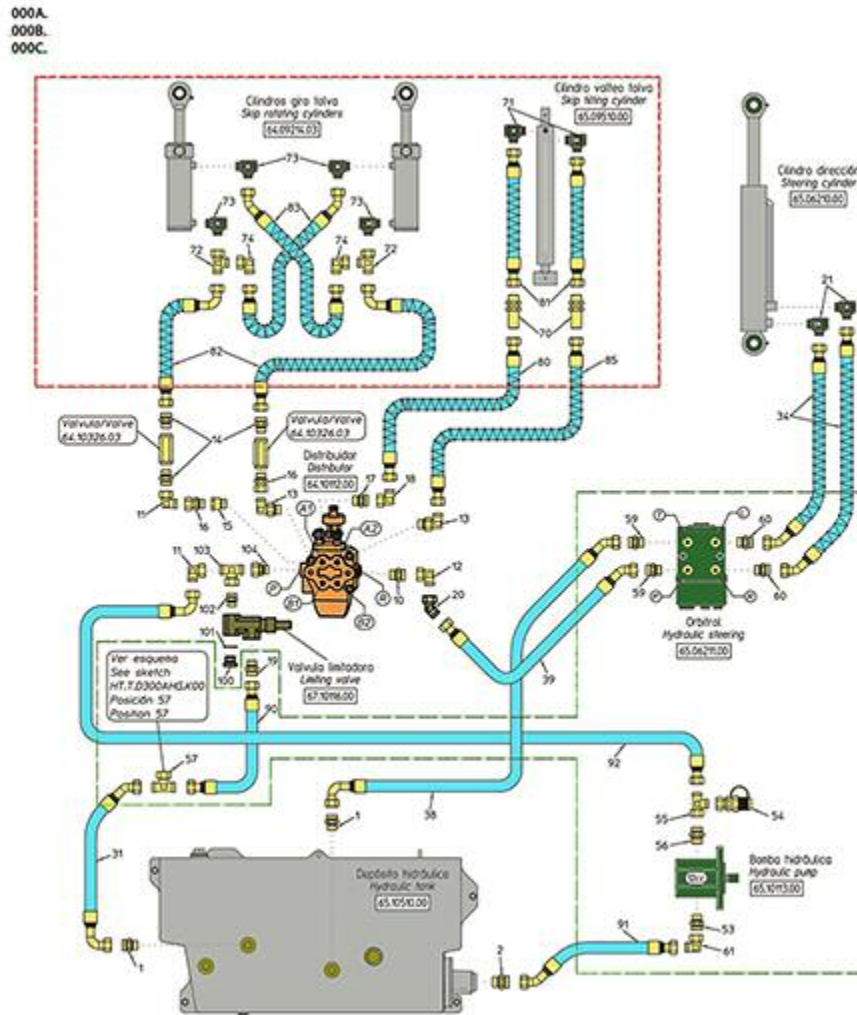


FIGURE	REFERENCE	DENOMINATION	AMOUNT
000A	67.10620.01	ACTIVATION KIT	1
000B	67.10800.00	ROTATORY KIT	1
000C	67.10720.00	ENGINE SET	1
001	48.10433.00	FITTING	3
002	64.10336.00	FITTING	1
003	12.10301.00	FITTING	1
004	67.10802.00	FITTING	2
005	70.10207.00	FITTING	2
006	52.01494.00	CLAMP 6000 PSI 3/4"	2
007	46.10845.00	CLAMP SAE6000 1	2
008	67.10227.00	FITTING	1
009	67.10222.00	FITTING	1

010	46.58083.00	GASKET MET. BUNA	1
011	48.10451.00	RACOR C90M/TL M18X1,5	2
012	48.10223.00	FITTING	1
013	48.10442.00	"RACOR C90MO/M 3/8""BSP / M18X1"	2
014	48.10836.00	RACOR M/M MB 3/8 BSP - MM M18L	3
015	10.01353.00	NIPPLE M/H	1
016	70.10237.00	FITTING M/TL 3/8GAS - M18x1,5	2
017	46.10849.00	FITTING	1
018	46.10410.00	FITTING	1
019	70.10253.00	FITTING	1
020	48.10312.00	RACOR C45M/TL -M26X1,5	1
021	48.10934.00	FITTING	2
022	67.10224.00	O-RING	1
023	67.10220.00	O-RING	1
030	67.10820.00		1
031	67.10824.00	PIPE	1
032	67.10813.00	PIPE	1
033	67.10814.00	PIPE	1
034	65.10807.01	HYDRAULIC HOSE R2T3/8 1450 TL-C45M18	2
035	67.10809.00	PIPE	1
036	67.10818.00		1
037	67.10807.00	PIPE	1
038	67.10805.00		1
039	67.10804.00		1

## 10. HYDRAULIC INSTALLATION WORKING

FIGURE	REFERENCE	DENOMINATION	AMOUNT
050	46.58187.00	RACOR C90MO/M M22-M22	1
051	46.58132.00	FITTING	1
052	48.10235.00	RACOR M/M -1/2"BSP / M22X1,5	1
053	48.10437.00	FITTING	1
054	70.10226.00	FITTING M/TL M16x2- M18x1,5	1
055	20.10297.00	THREE-WAY UNION M/M/TL	1
056	48.10836.00	RACOR M/M MB 3/8 BSP - MM M18L	1
057	46.10881.00	FITTING	1
058	70.10218.00	FITTING M/M M16x2-M12x1.5	2
059	48.10433.00	FITTING	2

060	70.10229.00	FITTING	2
061	46.58004.00	FITTING	1
062	70.10210.00	FITTING M/M M26xM22	1
063	46.10279.00		1
064	67.10832.00	CAP	1
070	48.10109.00	FITTING	2
071	48.10934.00	FITTING	2
072	46.10401.00	FITTING	2
073	48.10764.00	FITTING	4
074	46.10410.00	FITTING	2
080	67.10808.00		1
081	65.10809.00	HYDRAULIC HOSE R1T5/16 600 TLM16-TLM18	2
082	67.10810.00		2
083	64.10323.02	HYDRAULIC HOSE R1T1/4 M16C45-M16TL 560	2
085	67.10811.00		1
090	67.10828.00	PIPE	1
091	67.10827.00	PIPE	1
092	67.10826.00		1
093	67.10829.00	PIPE	1
100	60.00802.00	CAP	1
101	08.00317.00	METALLIC GASKET BUNA D3/8	1
102	70.10222.00	FITTING M/M M18x3/8BSP	1
103	46.58113.00	RACOR FORT M/TL/M M18	1
104	70.10237.00	FITTING M/TL 3/8GAS - M18x1,5	1

# 10. HYDRAULIC INSTALLATION TRANSMISSION

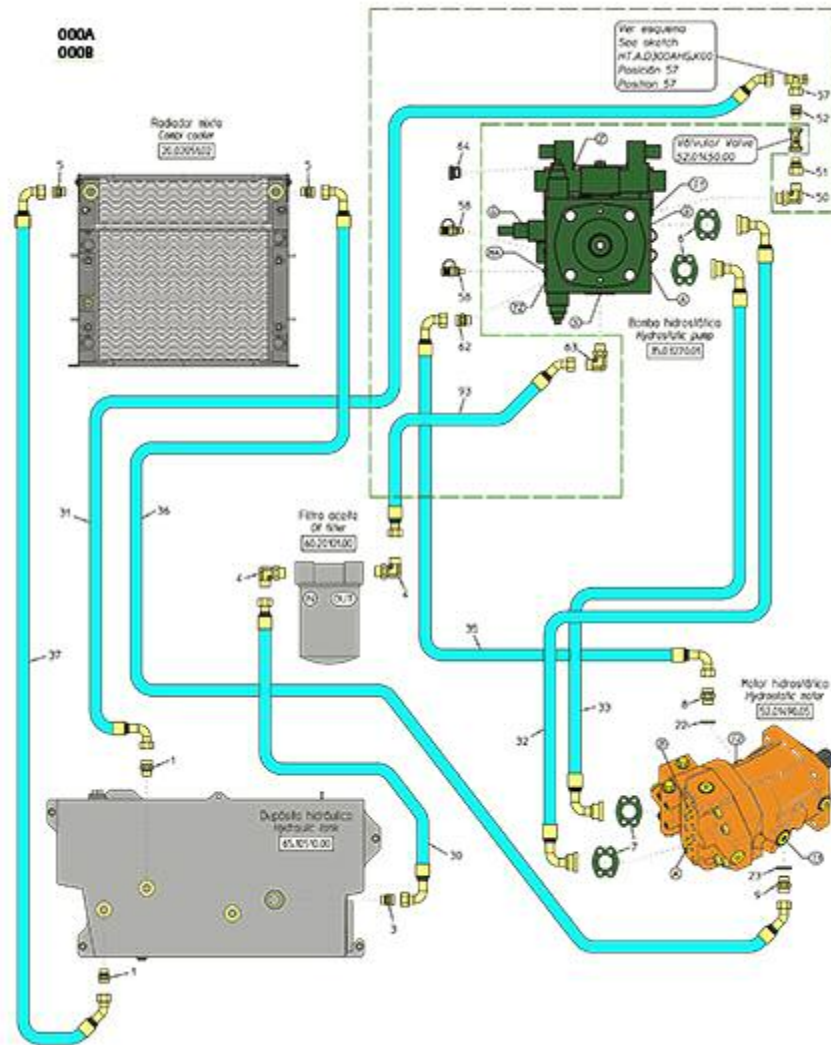


FIGURE	REFERENCE	DENOMINATION	AMOUNT
000A	67.10620.01	ACTIVATION KIT	1
000B	67.10720.00	ENGINE SET	1
001	48.10433.00	FITTING	2
003	12.10301.00	FITTING	1
004	67.10802.00	FITTING	2
005	70.10207.00	FITTING	2
006	52.01494.00	CLAMP 6000 PSI 3/4"	2
007	46.10845.00	CLAMP SAE6000 1	2
008	67.10227.00	FITTING	1
009	67.10222.00	FITTING	1
022	67.10224.00	O-RING	1

023	67.10220.00	O-RING	1
030	67.10820.00		1
031	67.10824.00	PIPE	1
032	67.10813.00	PIPE	1
033	67.10814.00	PIPE	1
035	67.10809.00	PIPE	1
036	67.10818.00		1
037	67.10807.00	PIPE	1
050	46.58187.00	RACOR C90MO/M M22-M22	1
051	46.58132.00	FITTING	1
052	48.10235.00	RACOR M/M -1/2"BSP / M22X1,5	1
057	46.10881.00	FITTING	1
058	70.10218.00	FITTING M/M M16x2-M12x1.5	2
062	70.10210.00	FITTING M/M M26xM22	1
063	46.10279.00		1
093	67.10829.00	PIPE	1

## 11. ELECTRIC INSTALLATION

### FLASHING BEACON



FIGURE	REFERENCE	DENOMINATION	AMOUNT
001	01.00921.02	ROTATING LIGHT BRITAX	1

## 11. ELECTRIC INSTALLATION

### ACOUSTIC WARNING

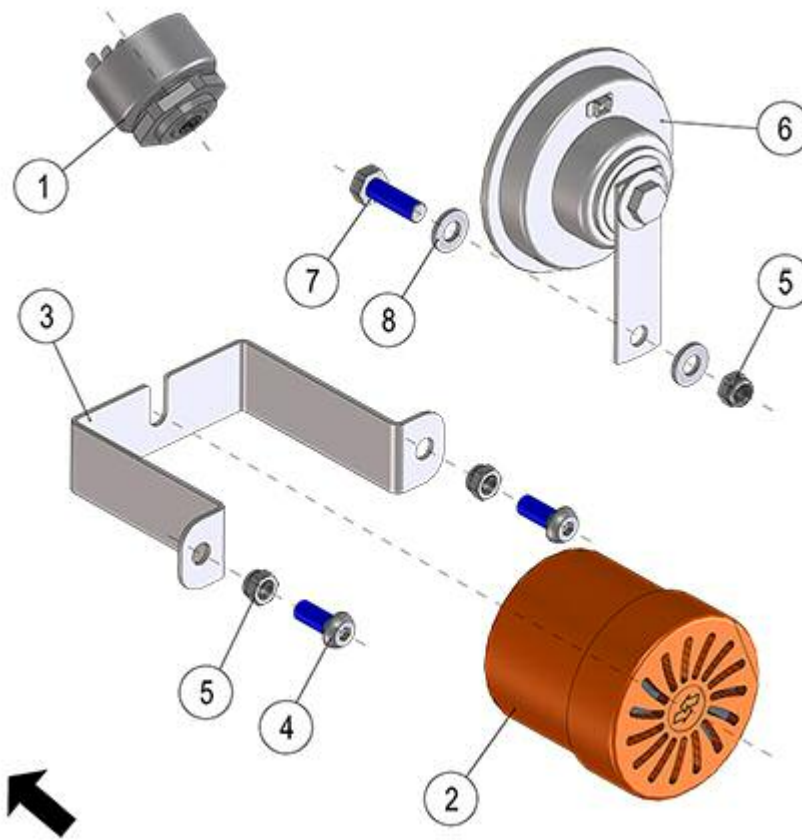


FIGURE	REFERENCE	DENOMINATION	AMOUNT
001	12.11033.01	CONTACT ACOUSTIC SIGNAL	1
002	02.14110.03	HORN	1
003	67.11704.00		1
004	630.08020.96	SCREW ISO7380	2
005	711.08000.66	NUT DIN982 M8	3
006	70.11309.00	HORN	1
007	603.08025.86	SCREW DIN933 M8x25	1
008	101.08000.66	WASHER DIN125 D8	2

## 11. ELECTRIC INSTALLATION

### DASHBOARD (1)

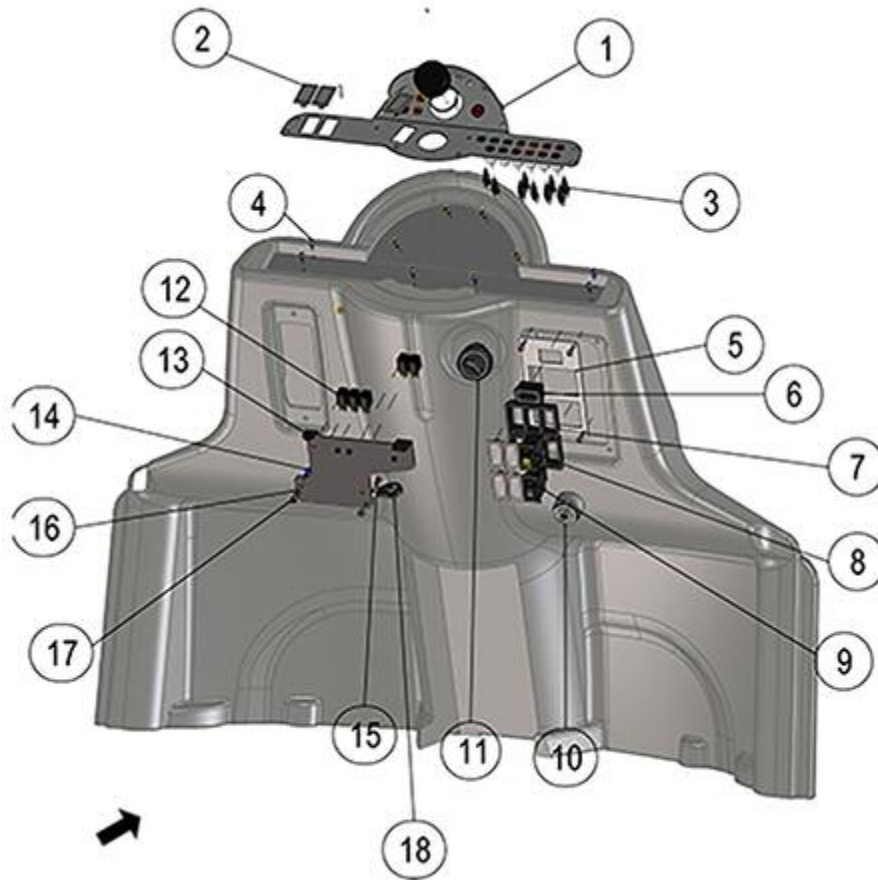


FIGURE	REFERENCE	DENOMINATION	AMOUNT
001	67.11101.00	DASH PANEL	1
002	12.11024.00	SWITCH CAP	7
003	35.11129.00	WARNING LIGHT	9
004	630.05010.96	SCREW ISO7380	14
005	63.11015.00	SUPPORT	1
006	35.11185.00	HOURS COUNTER	1
007	12.11030.00	SOP. FIJACION INTERRUPTOR	2
008	12.11052.00	ROTARY LIGHT SWITCH	1
009	12.11051.00	HORN SWITCH	1
010	12.11033.01	CONTACT ACOUSTIC SIGNAL	1
011	32.08172.00	MAIN SWITCH WITH KEY ASSEMBLY	1
012	IM.20026.03	MICRO RELAY WITH DIODE	5
013	67.11017.00	ECU SUPPORT	1
014	630.06015.96	SCREW ISO7380 M6x15	1
015	603.06015.87	SCREW DIN933 M6x15	1
016	101.06000.66	WASHER DIN125 D6	2





017	711.06000.66	NUT DIN982 M6	1
018	830.02206.00	CLAMP LOOP	1

# 11. ELECTRIC INSTALLATION

## ELECTRICAL CONTROL SYSTEMS

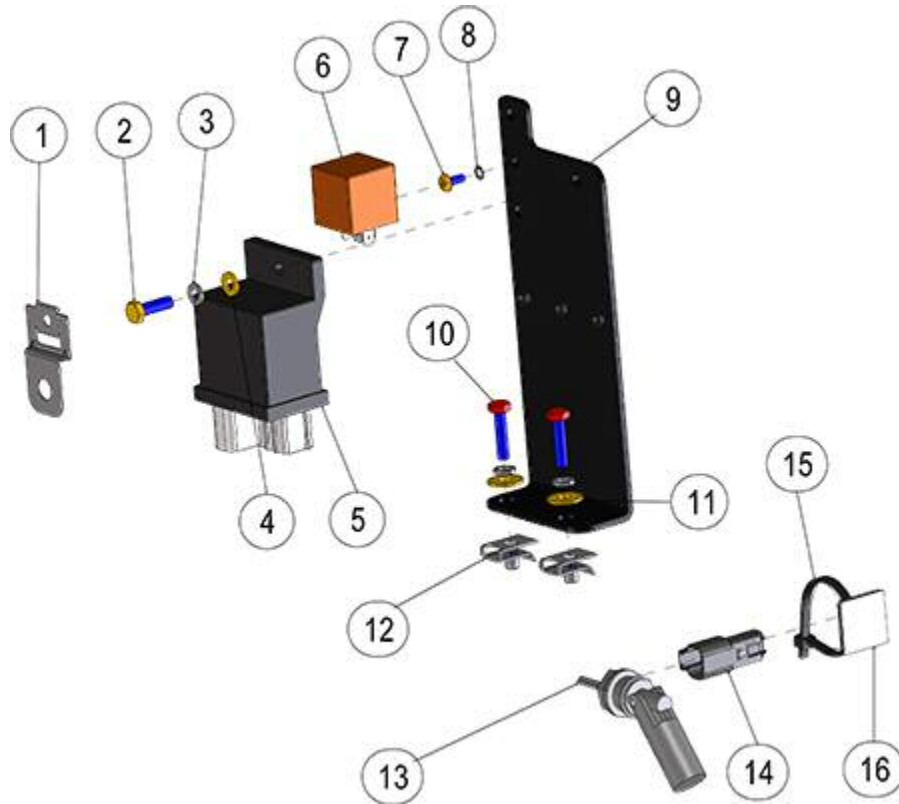


FIGURE	REFERENCE	DENOMINATION	AMOUNT
001	840.00005.00	SHEET	1
002	603.06020.86	SCREW DIN933 M6x20	1
003	104.06000.00	WASHER DIN7980 D6	3
004	101.06000.66	WASHER DIN125 D6	1
005	70.11334.00	KUBOTA ENGINE GLOW PLUG	1
006	43.01530.02	RELAY 40 AMP. 5 CONTAC. 6.3MM	1
007	628.04010.66		1
008	101.04000.66	WASHER DIN125 D4	1
009	67.11705.01	SHEET	1
010	603.06025.86	SCREW DIN933 M6x25	2
011	112.06000.66	WASHER DIN9021 D6	2
012	727.06004.86	CAGED NUT M6x4	2
013	43.70261.00	OIL LEVEL INDICATOR BUOY	1
014	46.11033.00		1
015	931.05370.00	CLAMP TAPE 5x370	1
016	66.11148.00		1

## 11. ELECTRIC INSTALLATION

### ELECTRICAL CONTROL SYSTEMS

CHASSIS: 88639

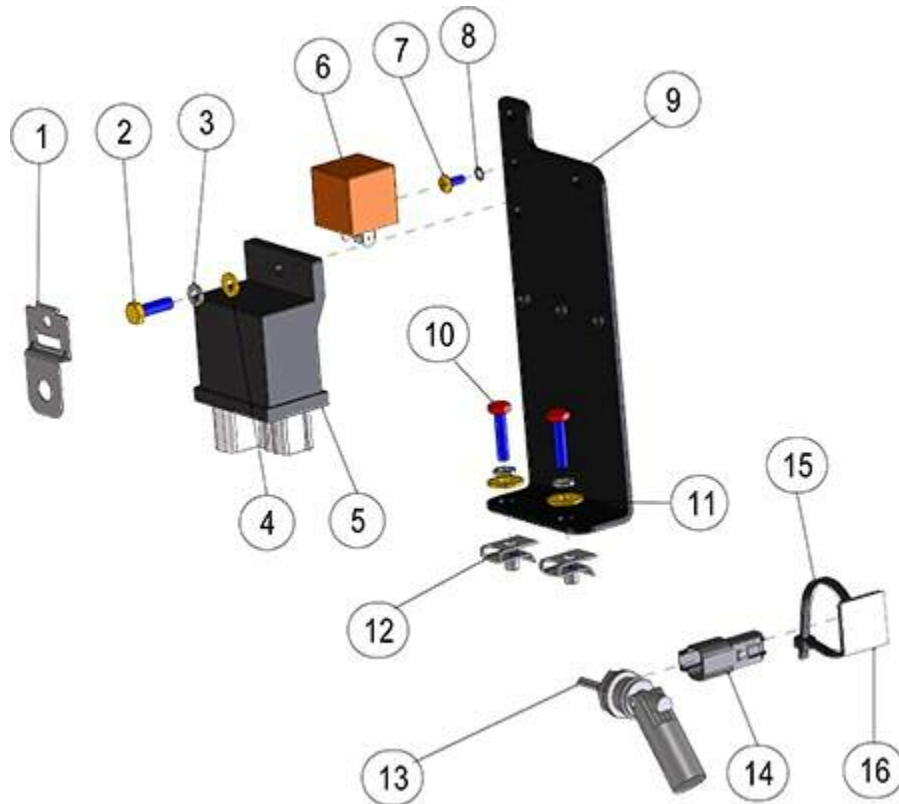


FIGURE	REFERENCE	DENOMINATION	AMOUNT
001	840.00005.00	SHEET	1
002	603.06020.86	SCREW DIN933 M6x20	1
003	104.06000.00	WASHER DIN7980 D6	3
004	101.06000.66	WASHER DIN125 D6	1
005	70.11334.00	KUBOTA ENGINE GLOW PLUG	1
006	48.11170.00	RELAY 70A UNSUPPORTED WITH DIODE	1
007	628.04010.66		1
008	101.04000.66	WASHER DIN125 D4	1
009	67.11705.01	SHEET	1
010	603.06025.86	SCREW DIN933 M6x25	2
011	112.06000.66	WASHER DIN9021 D6	2
012	727.06004.86	CAGED NUT M6x4	2
013	43.70261.00	OIL LEVEL INDICATOR BUOY	1
014	46.11033.00		1
015	931.05370.00	CLAMP TAPE 5x370	1
016	66.11148.00		1

COMMENTS

---

PM.00137

# 11. ELECTRIC INSTALLATION

## BATTERY

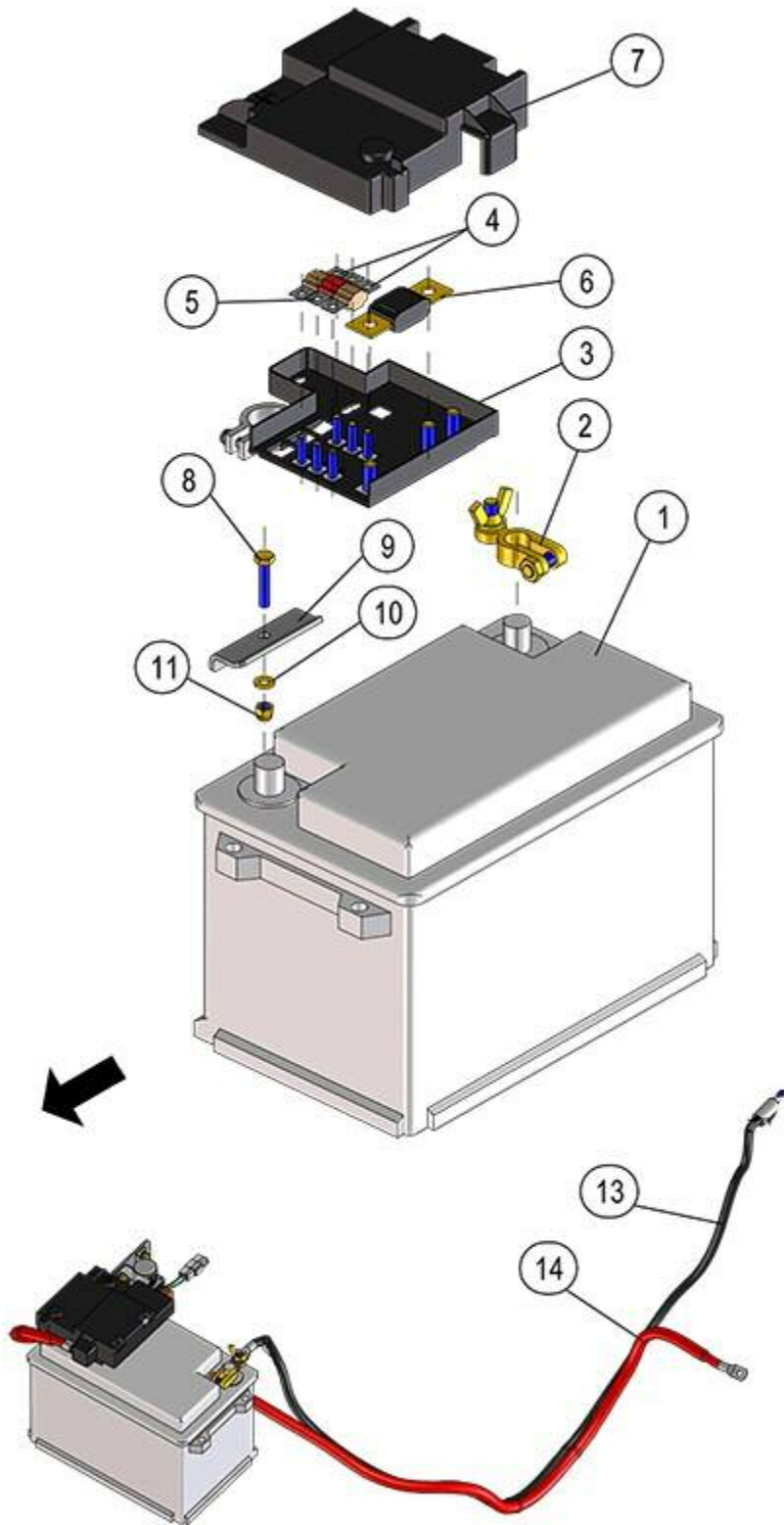


FIGURE	REFERENCE	DENOMINATION	AMOUNT
001	15.01411.00	BATTERY 12VX70AH	1

002	20.11007.01	NEGATIVE BATTERY CONNECTOR	1
003	20.11009.00	BATTERY FUSE BOX	1
004	13.11109.00	30A FUSE	2
005	20.11011.00	FUSE 50A PROTECTION	1
006	20.11010.02	FUSE 300A MAIN PROTECTOR	1
007	20.11014.00	BATTERY FUSEBOX COVER	1
008	603.06030.86	SCREW DIN933 M6x30	1
009	20.11101.00	FIXATION SUPPORT 2X10X70	1
010	101.06000.66	WASHER DIN125 D6	1
011	711.06000.66	NUT DIN982 M6	1
013	67.11903.00	BATTERY NEGATIVE WIRE	1
014	67.11904.00	POSITIVE WIRE	1

## 11. ELECTRIC INSTALLATION WIRING HARNESS (PART 1)

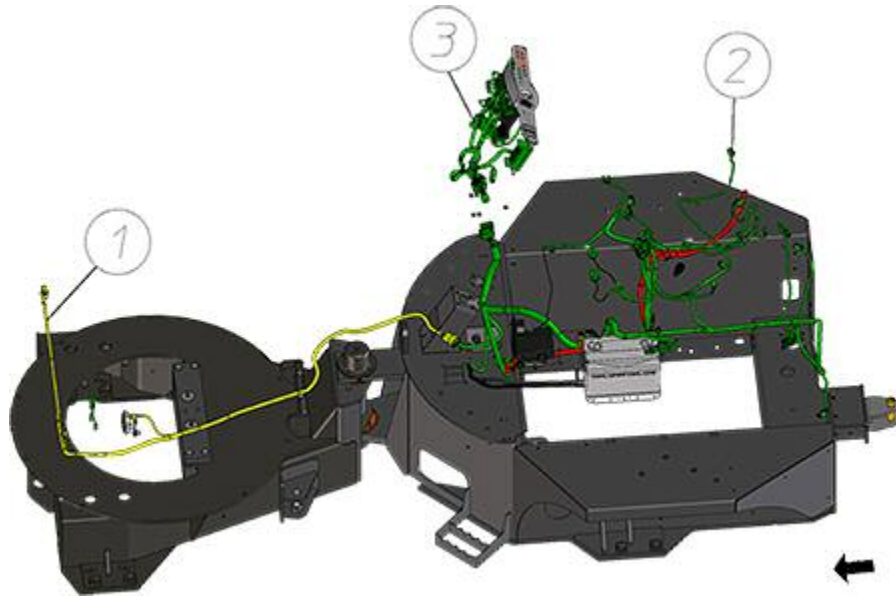


FIGURE	REFERENCE	DENOMINATION	AMOUNT
001	67.11002.00	FRONT LENGTH ELEC. INSTAL.	1
002	67.11801.00	REAR CHASSIS WIRING HARNESS	1
003	67.11800.00	DASHBOARD WIRING HARN D300 9KWESS	1

## 11. ELECTRIC INSTALLATION

### WIRING HARNESS (PART 2)

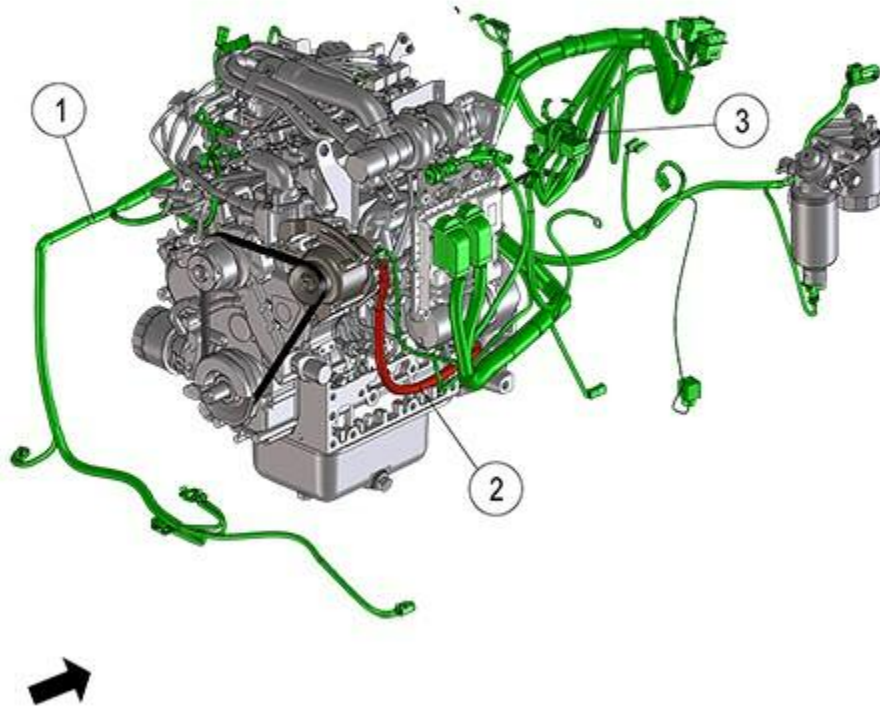


FIGURE	REFERENCE	DENOMINATION	AMOUNT
001	35.11402.00	ENGINE WIRING HARNESS	1
002	67.11203.00	ELECTRICAL CABLE 35X500MM M8 M6 R	1
003	67.11204.00	ELECTRICAL CABLE 35X1000 M10 M8 N	1



## 11. ELECTRIC INSTALLATION

### WIRING HARNESS (PART 2)

CHASSIS: 88659

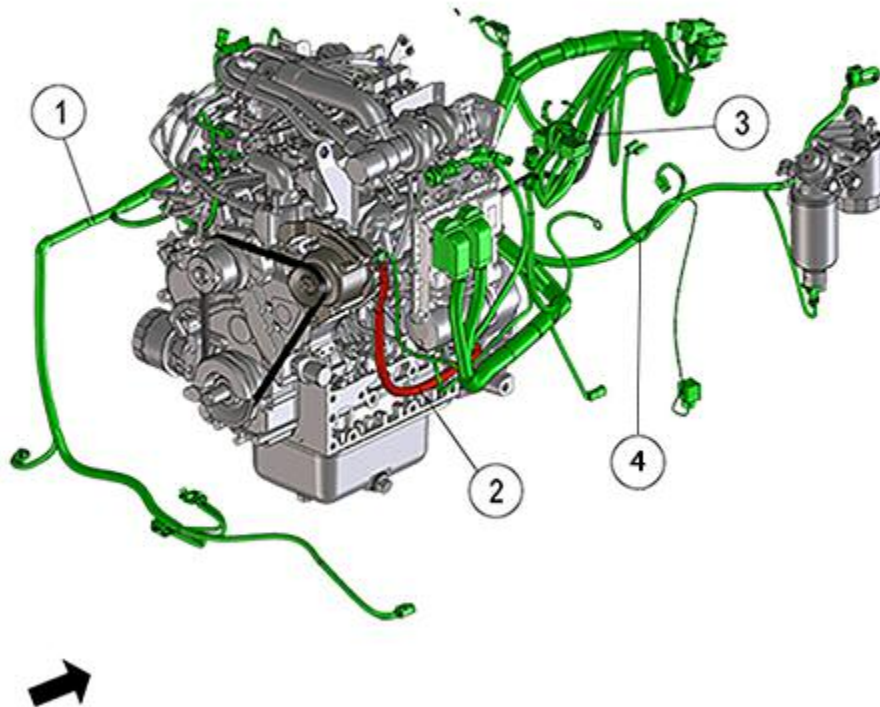


FIGURE	REFERENCE	DENOMINATION	AMOUNT
001	35.11402.00	ENGINE WIRING HARNESS	1
002	67.11203.00	ELECTRICAL CABLE 35X500MM M8 M6 R	1
003	67.11204.00	ELECTRICAL CABLE 35X1000 M10 M8 N	1
004	67.11802.00	DIODE WIRING HARNESS	1

#### COMMENTS

PM.00138

## 11. ELECTRIC INSTALLATION WIRING HARNESS (PART 3)

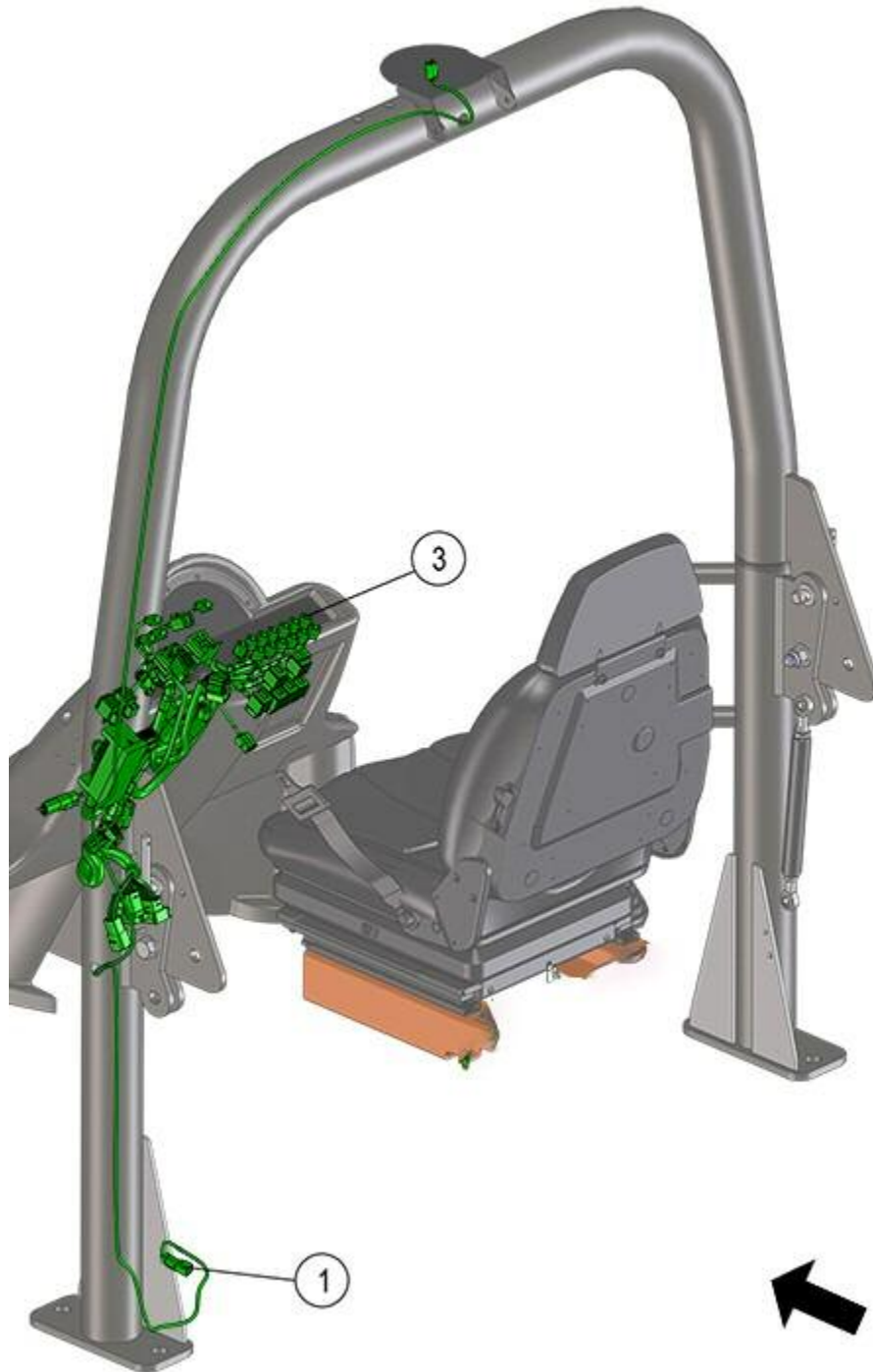


FIGURE	REFERENCE	DENOMINATION	AMOUNT
001	67.11005.00	LENGTH ELEC. INSTAL. 2 WAYS	1
003	67.11000.02	DASHBOARD WIRING	1

## 12. FINISHES

### STICKERS & PLATES (PART 1)

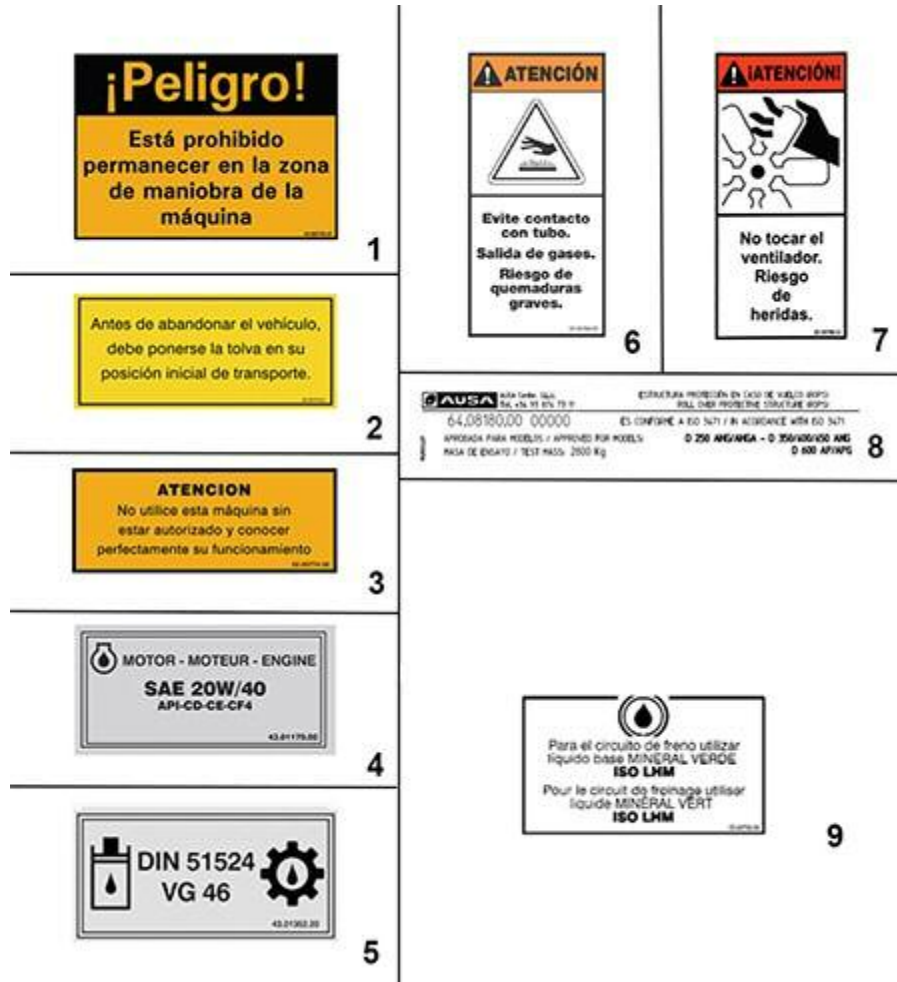


FIGURE	REFERENCE	DENOMINATION	AMOUNT
001	14.00775.01	PLATE AD. INDI	2
002	02.00773.01	PLATE AD. INDI	1
003	02.00774.00	PLATE AD. INDI	1
004	43.01170.02	PLATE AD. INDI	1
005	43.01352.20	PLATE AD. INDI	1
006	02.00764.00	PLATE AD. INDI	1
007	02.00766.01	ADH. PLATE IND. 40x80, SPANISH	1
008	39.08242.01	ADHESIVE PLATE	1
009	55.00780.00	PLATE AD. INDI	1

## 12. FINISHES

### FINISHED UK



FIGURE	REFERENCE	DENOMINATION	AMOUNT
001	14.00775.03	PLATE AD. INDI	2
002	02.00773.03	PLATE AD. INDI. 80x180 ENG	1
003	02.00777.12	PLATE AD. INDI (ENGLISH)	1
004	43.01170.02	PLATE AD. INDI	1
005	43.01352.20	PLATE AD. INDI	1
006	02.00765.00	INDICATIVE STICKER 40x80 HOT PARTS	1
007	02.00766.11	INDICATIVE STICKER 40X80 DO NOT TOUCH	1
008	39.08242.01	ADHESIVE PLATE	1
009	55.00780.01	STICKER 60x100 BRAKE	1

## 12. FINISHES

### FINISHED GERMANY



FIGURE	REFERENCE	DENOMINATION	AMOUNT
001	14.00775.00	PLATE AD. INDI	2
002	02.00773.00	PLATE AD. INDI ALEMAN	1
003	02.00779.02	PLATE AD. INDI	1
004	43.01170.02	PLATE AD. INDI	1
005	43.01352.20	PLATE AD. INDI	1
006	02.00764.02	PLATE AD. INDI	1
007	02.00766.03	ADHESIVE 40X80 GERMAN	1
008	39.08242.01	ADHESIVE PLATE	1
009	55.00780.01	STICKER 60x100 BRAKE	1

## 12. FINISHES

### FINISHED FRANCE



FIGURE	REFERENCE	DENOMINATION	AMOUNT
001	14.00775.02	PLATE AD. INDI	2
002	02.00773.02	PLATE AD. INDI	1
003	02.00778.00	PLATE AD. INDI	1
004	43.01170.02	PLATE AD. INDI	1
005	43.01352.20	PLATE AD. INDI	1
006	02.00764.01	PLATE AD. INDI	1
007	02.00766.02	ADHESIVE 40X80 FRENCH	1
008	39.08242.01	ADHESIVE PLATE	1
009	55.00780.00	PLATE AD. INDI	1

## 12. FINISHES STICKERS & PLATES (PART 2)

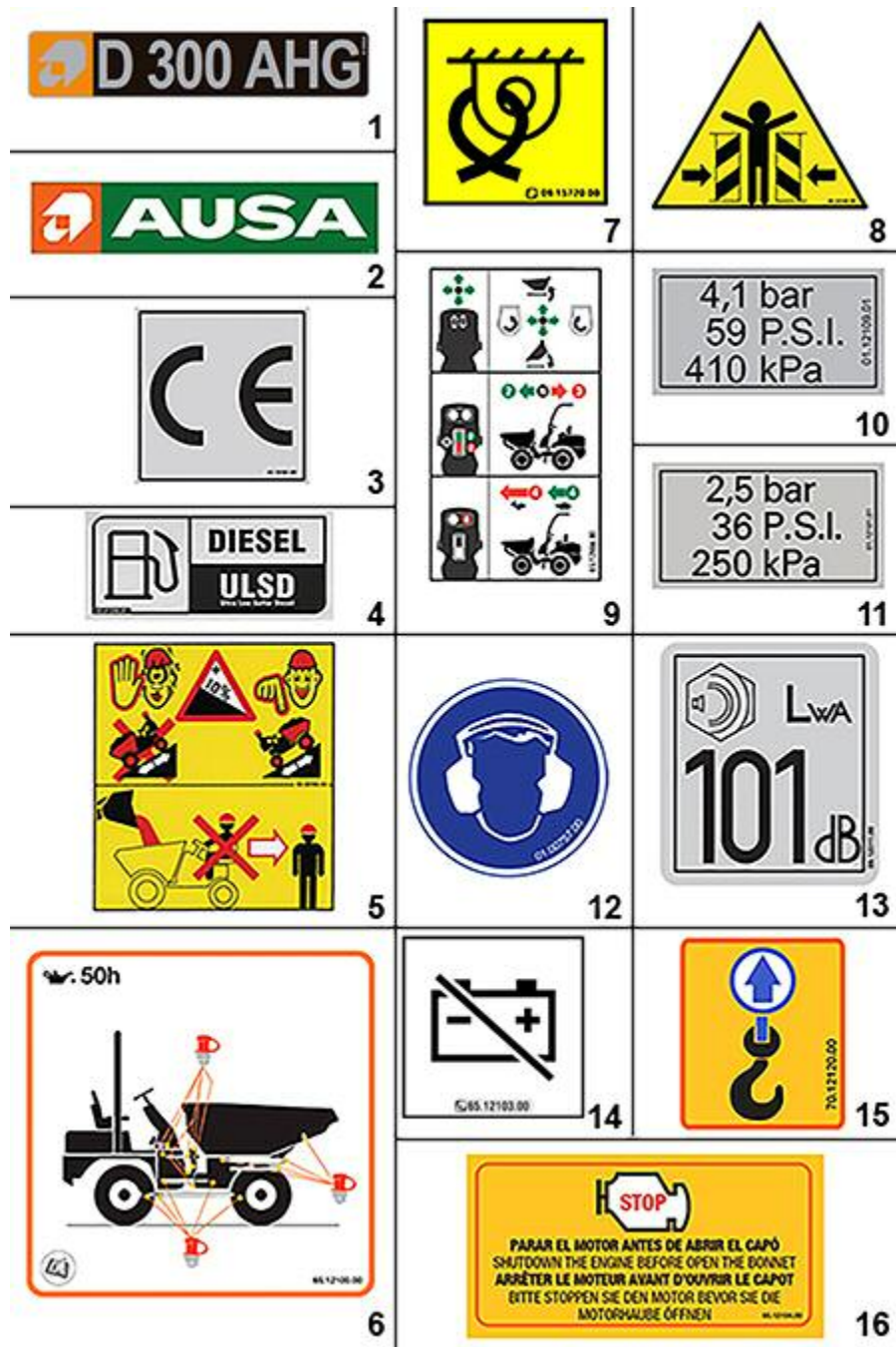


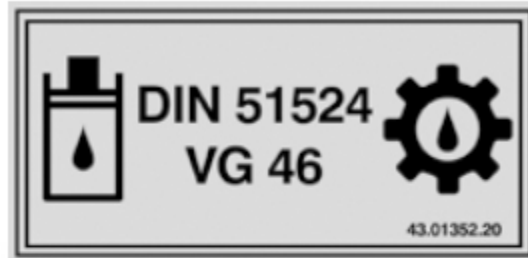
FIGURE	REFERENCE	DENOMINATION	AMOUNT
001	67.12100.00	MODEL STICKER D 300 AHG	2
002	13.12136.02	ADHESIVE, AUSA 720x147	2
003	45.19101.00	PLATE AD. INDI	1
004	43.01356.01	ADH. PLATE IND. DIESEL ULSD 90	1
005	09.00769.00	PLATE AD. INDI	1
006	65.12100.00	GREASING POINTS STICKER	1

007	09.15720.00	PLATE AD. INDI	1
008	60.22350.00	PLATE AD. INDI	1
009	65.12004.00	ADHESIVE PLATE	1
010	01.12109.01	ADHESIVE PRESSURE 4.1/59/410	1
011	01.12101.01	ADHESIVE PRESSURE 2.5/36/250	1
012	01.00757.00	PLATE AD. INDI	1
013	09.12011.00	ADHESIVE	1
014	65.12103.00	STICKER DISCONNECT	1
015	70.12120.00	STICKER LIFT POINT	1
016	65.12104.00	STICKER ENGINE SHUTDOWN	1



## 12. FINISHES

### STICKERS & PLATES (PART 3)



1



2

FIGURE	REFERENCE	DENOMINATION	AMOUNT
001	43.01352.20	PLATE AD. INDI	1
002	43.01352.21	ADH. PLATE (OIL)	1

## 12. FINISHES

### TOOLS BAG

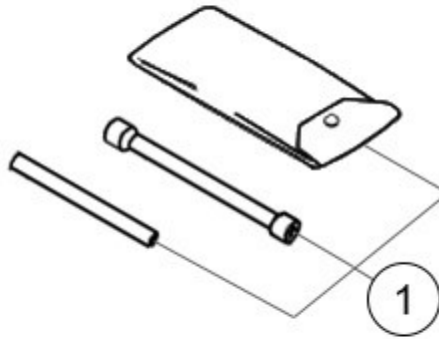


FIGURE	REFERENCE	DENOMINATION	AMOUNT
001	01.00036.02	TOOLS-BAG	1

## OPTION AND VARIANTS

### WHEELS



FIGURE	REFERENCE	DENOMINATION	AMOUNT
000	70.07024RE00	TUBELESS VALVE TR575 KIT 4u.	1
001	65.07400DE02	RIGHT MOUNTED WHEEL	2
001	65.07400IZ02	LEFT MOUNTED WHEEL	2
002	43.10911.00	NOT AVAILABLE	4

## 05. ACTUATORS

### ACCELERATOR

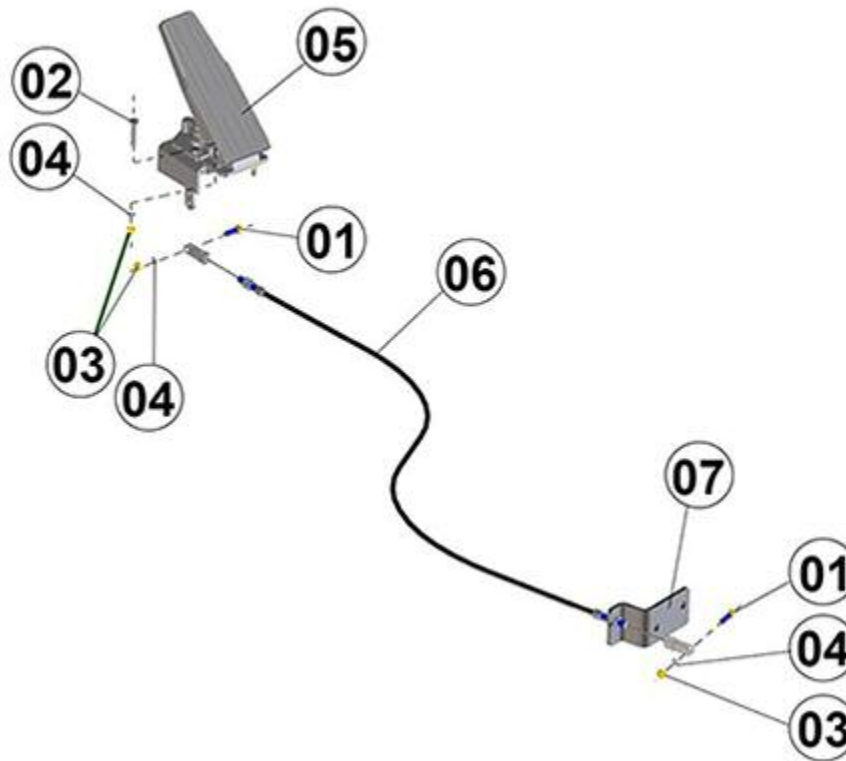


FIGURE	REFERENCE	DENOMINATION	AMOUNT
001	603.06020.86	SCREW DIN933 M6x20	2
002	601.06080.86	SCREW DIN912 M6x80	1
003	711.06000.66	NUT DIN982 M6	6
004	101.06000.66	WASHER DIN125 D6	6
005	43.70127.00	ACCEL. PEDAL	1
006	67.02043.00	ACCELERATOR CABLE	1
007	12.02041.00	SUPPORT 88X91X96	1

## 12. FINISHES

### STICKER KILOTOU FRANCE

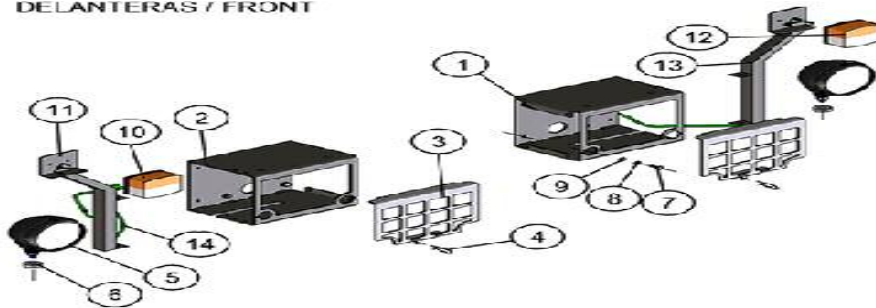


FIGURE	REFERENCE	DENOMINATION	AMOUNT
001	65.12102.00	STICKER ARCH FOLDED POSITION	1
002	70.12120.00	STICKER LIFT POINT	1
003	65.12104.00	STICKER ENGINE SHUTDOWN	1
004	65.12103.00	STICKER DISCONNECT	1
005	67.12108.00	ADHESIVE PLATE	1
006	01.11720.00	ADHESIVE PLATE	1

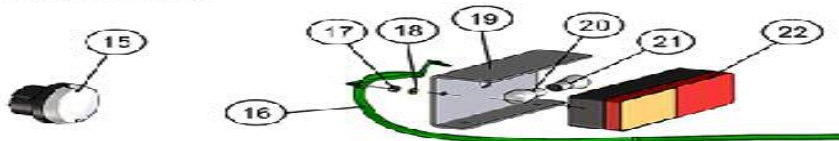
## 13. ACCESSORIES

### LIGHTS

DELANTERAS / FRONT



TRASERAS / REAR



COMANDOS / CONTROLS



FIGURE	REFERENCE	DENOMINATION	AMOUNT
001	64.11111.03		1
001	64.11111.03		1
001	64.11111.03		1
002	64.11112.03		1
002	64.11112.03		1
002	64.11112.03		1
003	64.11138.00	LIGHT PROTECTOR	2
003	64.11138.00	LIGHT PROTECTOR	2
003	64.11138.00	LIGHT PROTECTOR	2
004	15.00836.01	PIN DIN11024	2
004	15.00836.01	PIN DIN11024	2
004	15.00836.01	PIN DIN11024	2
005	66.11132.00	FRONTAL LIGHT LEFT AND RIGHT	2
005	66.11132.00	FRONTAL LIGHT LEFT AND RIGHT	2
005	66.11132.00	FRONTAL LIGHT LEFT AND RIGHT	2
006	67.11008.00	FRONT LIGHT SUPPORT	2

006	67.11008.00	FRONT LIGHT SUPPORT	2
006	67.11008.00	FRONT LIGHT SUPPORT	2

### 13. ACCESSORIES LIGHTS

FIGURE	REFERENCE	DENOMINATION	AMOUNT
007	603.08020.86	SCREW DIN933 M8x20	8
007	603.08020.86	SCREW DIN933 M8x20	8
007	603.08020.86	SCREW DIN933 M8x20	8
008	104.08000.00	WASHER DIN7980 D8	8
008	104.08000.00	WASHER DIN7980 D8	8
008	104.08000.00	WASHER DIN7980 D8	8
009	101.08000.66	WASHER DIN125 D8	8
009	101.08000.66	WASHER DIN125 D8	8
009	101.08000.66	WASHER DIN125 D8	8
010	65.11111.00	RIGHT LANTERN	1
010	65.11111.00	RIGHT LANTERN	1
010	65.11111.00	RIGHT LANTERN	1
011	65.11101.00	RIGHT LIGHT SUPPORT	1
011	65.11101.00	RIGHT LIGHT SUPPORT	1
011	65.11101.00	RIGHT LIGHT SUPPORT	1
012	65.11110.00	LEFT LANTERN	1
012	65.11110.00	LEFT LANTERN	1
012	65.11110.00	LEFT LANTERN	1
013	65.11102.00	LEFT LIGHT SUPPORT	1
013	65.11102.00	LEFT LIGHT SUPPORT	1
013	65.11102.00	LEFT LIGHT SUPPORT	1
014	67.11004.00		1
014	67.11004.00		1
014	67.11004.00		1
015	66.11127.00	LIGHT REVERSE LED	1
015	66.11127.00	LIGHT REVERSE LED	1
015	66.11127.00	LIGHT REVERSE LED	1
016	67.11003.00		1
016	67.11003.00		1
016	67.11003.00		1
017	701.06000.66	NUT DIN934 M6X1	2
017	701.06000.66	NUT DIN934 M6X1	2

017	701.06000.66	NUT DIN934 M6X1	2
018	104.06000.00	WASHER DIN7980 D6	2
018	104.06000.00	WASHER DIN7980 D6	2
018	104.06000.00	WASHER DIN7980 D6	2

### 13. ACCESSORIES LIGHTS

FIGURE	REFERENCE	DENOMINATION	AMOUNT
019	65.11103.01	BACK LIGHT SUPPORT	2
019	65.11103.01	BACK LIGHT SUPPORT	2
019	65.11103.01	BACK LIGHT SUPPORT	2
020	31.01329.00	LAMP 12V 21W	2
020	31.01329.00	LAMP 12V 21W	2
020	31.01329.00	LAMP 12V 21W	2
021	31.01331.00	LAMP 12V 21W/5W	2
021	31.01331.00	LAMP 12V 21W/5W	2
021	31.01331.00	LAMP 12V 21W/5W	2
022	54.01327.00	PILOT	2
022	54.01327.00	PILOT	2
022	54.01327.00	PILOT	2
023	70.11323.01	LIGHTS LEVER SWITCH	1
023	70.11323.01	LIGHTS LEVER SWITCH	1
023	70.11323.01	LIGHTS LEVER SWITCH	1
024	70.11025.00	ADHESIVE FOAM SEALER	1
024	70.11025.00	ADHESIVE FOAM SEALER	1
024	70.11025.00	ADHESIVE FOAM SEALER	1
025	70.11343.00	SECTION I / E ADAPTER LEVER	1
025	70.11343.00	SECTION I / E ADAPTER LEVER	1
025	70.11343.00	SECTION I / E ADAPTER LEVER	1
025	70.11343.00	SECTION I / E ADAPTER LEVER	1
025	70.11343.00	SECTION I / E ADAPTER LEVER	1
025	70.11343.00	SECTION I / E ADAPTER LEVER	1
025	70.11343.00	SECTION I / E ADAPTER LEVER	1
025	70.11343.00	SECTION I / E ADAPTER LEVER	1
025	70.11343.00	SECTION I / E ADAPTER LEVER	1
025	70.11343.00	SECTION I / E ADAPTER LEVER	1
025	70.11343.00	SECTION I / E ADAPTER LEVER	1
025	70.11343.00	SECTION I / E ADAPTER LEVER	1
026	IM.20016.00	WORKING LIGHT SWITCH	1
026	IM.20016.00	WORKING LIGHT SWITCH	1
026	IM.20016.00	WORKING LIGHT SWITCH	1



027	12.11050.00	TULIPA INTERRUPTOR WARNING	1
027	12.11050.00	TULIPA INTERRUPTOR WARNING	1
027	12.11050.00	TULIPA INTERRUPTOR WARNING	1
028	IM.20026.03	MICRO RELAY WITH DIODE	2
028	IM.20026.03	MICRO RELAY WITH DIODE	2
028	IM.20026.03	MICRO RELAY WITH DIODE	2

### 13. ACCESSORIES

#### LIGHTS

FIGURE	REFERENCE	DENOMINATION	AMOUNT
029	IM.20025.00	INTERMITTENCE BOX	1
029	IM.20025.00	INTERMITTENCE BOX	1
029	IM.20025.00	INTERMITTENCE BOX	1

## 12. FINISHES

### FINISHED PORTUGAL



FIGURE	REFERENCE	DENOMINATION	AMOUNT
001	02.00764.08	PORT. STIKER	1
002	02.00766.08	PORT. STIKER	2
003	02.00773.04	PLATE AD. INDI	1
004	02.00774.01	PLATE AD. INDI. 50X120 PORTUGUESE	1
005	14.00775.04	PLATE AD. INDI	2
006	55.00780.02	STICKER OIL BRAKE	1
007	65.12104.01	PLATE AD. INDI	2

# INDEX

---

## 00. MAINTENANCE

Filters kit 2

## 02. ENGINE

MOTOR 3

EXHAUST PIPE 4

INLET 5

DELIVERY 6

Réfrigération 7

Radiator (Part 2) 8

SUSPENSION 9

## 03. TRANSMISSION

Hydrostatic transmission 10

Hydrostatic engine 11

FRONT AXLE (1) 12

FRONT AXLE (2) 13

FRONT AXLE (3) 14

FRONT AXLE (4) 15

FRONT AXLE (5) 16

FRONT AXLE (6) 17

REAR AXLE (1) 18

REAR AXLE (2) 19

REAR AXLE (3) 20

REAR AXLE (4) 21

REAR AXLE (5) 22

Cardan Joint 23

## 04. CHASSIS

Chassis (Part 1) 24

Chassis (Part 2) 25

Chassis axle 26

## 05. BRAKE ACTIVATION

FOOT BRAKE 27

TUBES 28

Handbrake (Part 1)	29
Handbrake (Part 1) - 91227	30
Handbrake (Part 2)	31
<b>06. STEERING</b>	
Steering (Part 1)	32
Steering (Part 2)	33
<b>RUEDAS</b>	
WHEELS	34
<b>08. BODYWORK</b>	
SHEETS (1)	35
SHEETS (2)	36
Cab	37
ROPS arch	38
Joystick lever	39
SEAT	40
SEAT - 91512	41
COUNTERWEIGHT	42
<b>09. MACHINE FUNCTIONS</b>	
HOPPER (01)	43
<b>09. MACHINE FUNCTIONS IMPLEMENTS</b>	
Rotating hopper support	44
<b>10. HYDRAULIC INSTALLATION</b>	
Distributor	45
Hydraulic tank	46
Oil tank	47
Working	48
Transmission	50
<b>11. ELECTRIC INSTALLATION</b>	
FLASHING BEACON	51
Acoustic warning	52
DASHBOARD (1)	53

ELECTRICAL CONTROL SYSTEMS	54
ELECTRICAL CONTROL SYSTEMS - 88639	55
Battery	56
WIRING HARNESS (PART 1)	57
WIRING HARNESS (PART 2)	58
WIRING HARNESS (PART 2) - 88659	59
WIRING HARNESS (PART 3)	60
<b>12. FINISHES</b>	
STICKERS & PLATES (PART 1)	61
Finished UK	62
Finished Germany	63
Finished France	64
STICKERS & PLATES (PART 2)	65
STICKERS & PLATES (PART 3)	66
Tools bag	67
<b>Option and variants</b>	
WHEELS	68
<b>05. ACTUATORS</b>	
ACCELERATOR	69
<b>12. FINISHES</b>	
STICKER KILOTOU FRANCE	70
<b>13. ACCESSORIES</b>	
LIGHTS	71
<b>12. FINISHES</b>	
Finished Portugal	75